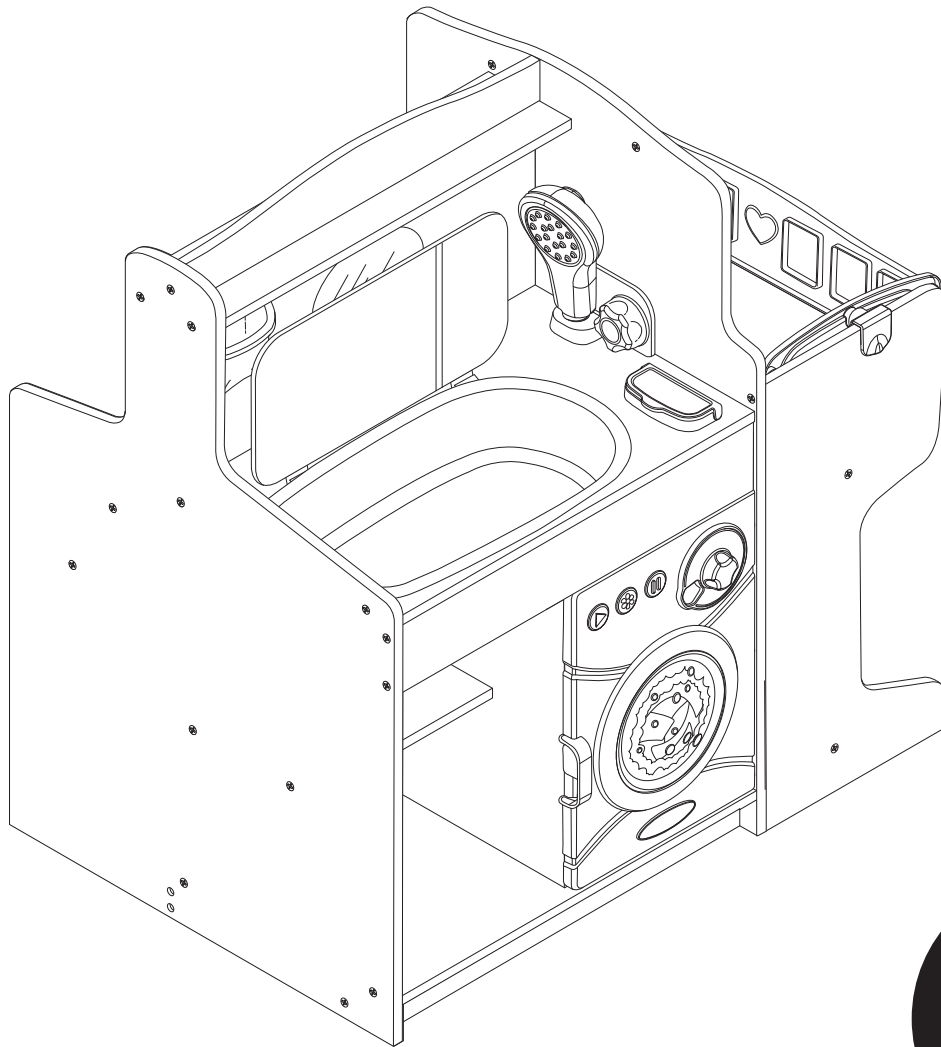




# Mine To Love<sup>®</sup> Baby Care Activity Center

## ASSEMBLY INSTRUCTIONS



Have a question or need help? Give us a call! 1-800-284-3948

Assembly Instructional Video Available at [MelissaAndDoug.com/babycenter](http://MelissaAndDoug.com/babycenter)

Item #31701

Melissa & Doug<sup>®</sup>

We ♥ feedback! Call us: 1-800-284-3948  
[MelissaAndDoug.com](http://MelissaAndDoug.com)

Melissa & Doug products meet or exceed all U.S. toy testing standards and pass our high quality requirements.

© Melissa & Doug, LLC, P.O. Box 590, Westport, CT 06881  
MADE IN CHINA

**WARNING:**  
ADULT ASSEMBLY REQUIRED.  
Contains small parts before assembly.

Ages 3+

# THANK YOU!

Thank you for choosing the Melissa & Doug Mine to Love® Baby Care Activity Center! It's a terrific way to help nurture a child's creativity and imagination, and to inspire story-telling and independent play for years to come.

---

## NOW IT'S TIME TO PUT IT TOGETHER!

Don't worry, assembling your new activity center is simple, and we're here to help. It may go a little faster with a partner to lend a hand, but we've made it so one person can assemble the center. Here are a few tips before you begin:

- Read through all the instructions first.
- Clear a flat, covered space (carpeted is best) to lay out all the materials so everything is close at hand.
- You will need a Phillips-head screwdriver (not included) to assemble the activity center. We've included everything else you need. All parts are labeled with a sticker (A-S, and 1-31).
- The instructions include lots of helpful pictures—we show you, step-by-step, how to align pieces and parts for speedy and accurate assembly. Note that the hardware needed for each step is shown in the upper right corner of the page, each piece being added in a given step is highlighted in gray, and the “assembled view” (what it looks like in the completed product when the step is completed) is included in the lower right corner of every page.
- In the instructions, the name of a part is followed by a letter or number in parentheses. This letter or number corresponds to the sticker on the part, as well as the picture of the part shown on pages 2-3.
- Helpful hints are highlighted with a large exclamation point.



**IMPORTANT:** Helpful hints are found here.

- If you have any questions, we're here for you! Give our customer service folks a call at 1-800-284-3948!
- 

## WARNINGS!

Retain these instructions for future reference.

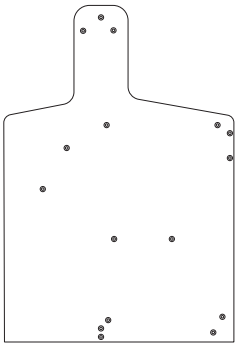
Warning: Prevent Tip Overs!

- Do not allow children to pull, climb, sit, or stand on any part of the activity center.
  - Never place computers, televisions, or other heavy objects on top of the activity center.
  - The activity center must be placed on a hard, flat, and level surface.
  - The activity center must be assembled as instructed.
- 

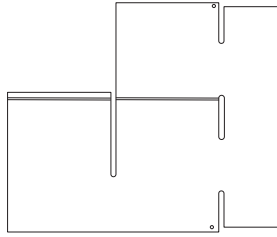
## MAINTENANCE:

Ensure the activity center continues to function properly and safely by regularly checking the hardware and tightening when necessary.

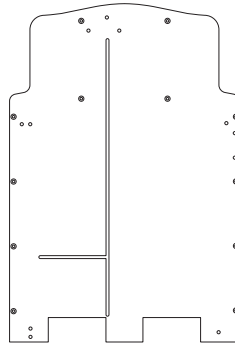
# WOODEN PANELS - Be Smart—Sort Your Parts



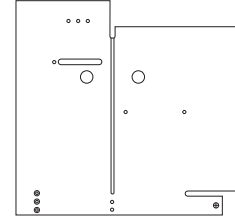
**A** side wall



**B** floor



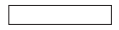
**C** cradle back



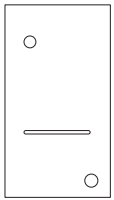
**D** divider



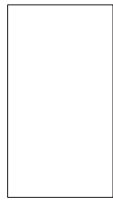
**E** notched brace



**F** brace



**G** center panel with holes



**H** center panel



**I** fridge shelf



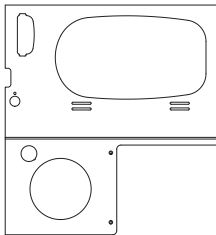
**J** high chair seat



**K** baseboard



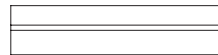
**L** bathroom shelf



**M** counter



**N** upper center panel



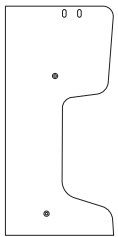
**O** kitchen shelf



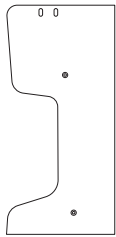
**P** rounded top panel



**Q** laundry front panel

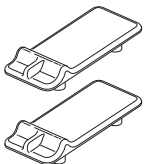


**R** cradle left panel

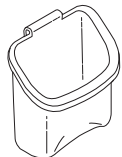


**S** cradle right panel

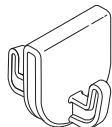
## OTHER PARTS



**1** door stop (2)



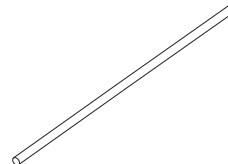
**2** wipe dispenser



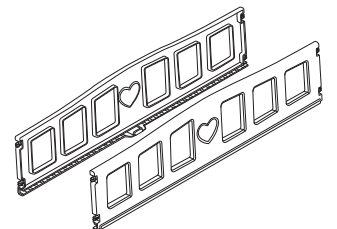
**3** double sided hook



**4** clothing rack holder (2)

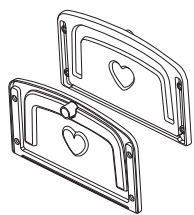


**5** clothing rack

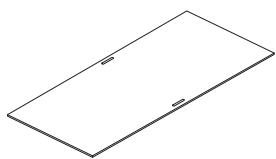


**6** cradle front and back (2)

# OTHER PARTS (continued)



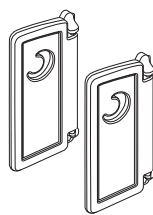
7 cradle side (2)



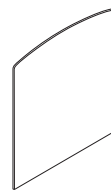
8 cradle bottom



9 cradle holder (2)



10 shutter (2)



11 window



12 bath nozzle knob



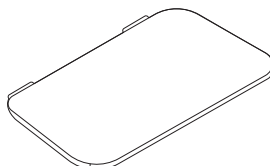
13 bath nozzle attachment



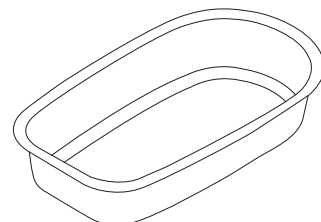
14 bath nozzle & hose



15 bath hose stopper



16 changing mat



17 bathtub



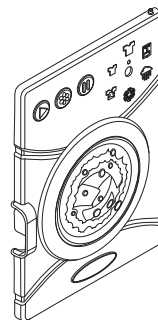
18 diaper door



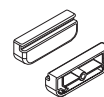
19 laundry knob



20 laundry knob connector



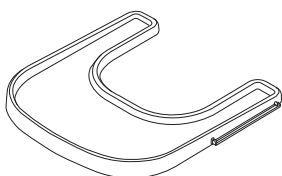
21 laundry door



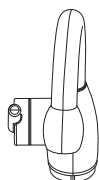
22 high chair rail (2)



23 high chair divider



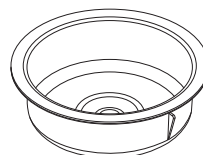
24 high chair tray



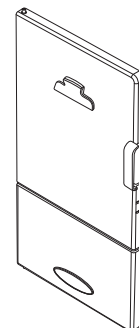
25 faucet



26 faucet screw

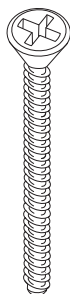


27 kitchen sink



28 fridge door

# HARDWARE (shown actual size)



29 long screw (46)



30 short screw (9)



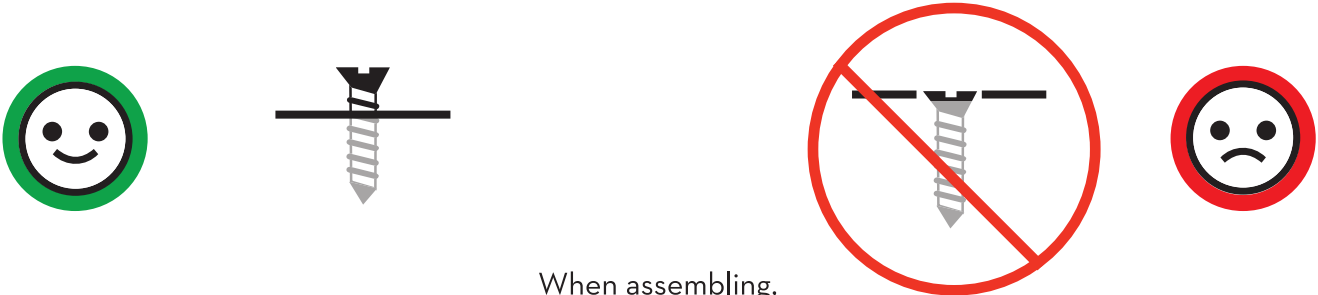
31 wood dowel (7)

# IMPORTANT

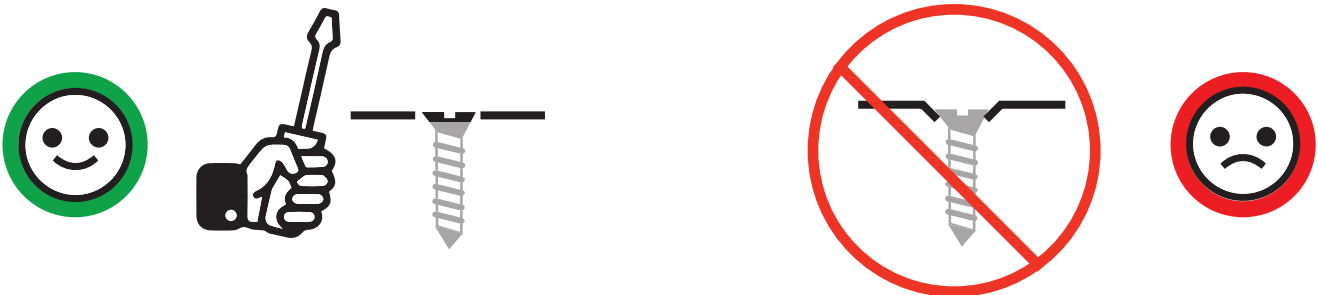
Be smart—sort your parts!  
Be sure you have all required parts **BEFORE** beginning assembly!



**Do NOT** use power tools to assemble.  
Using power tools will cause product to crack!



When assembling,  
**DO NOT FULLY TIGHTEN** screws until all panels are connected.



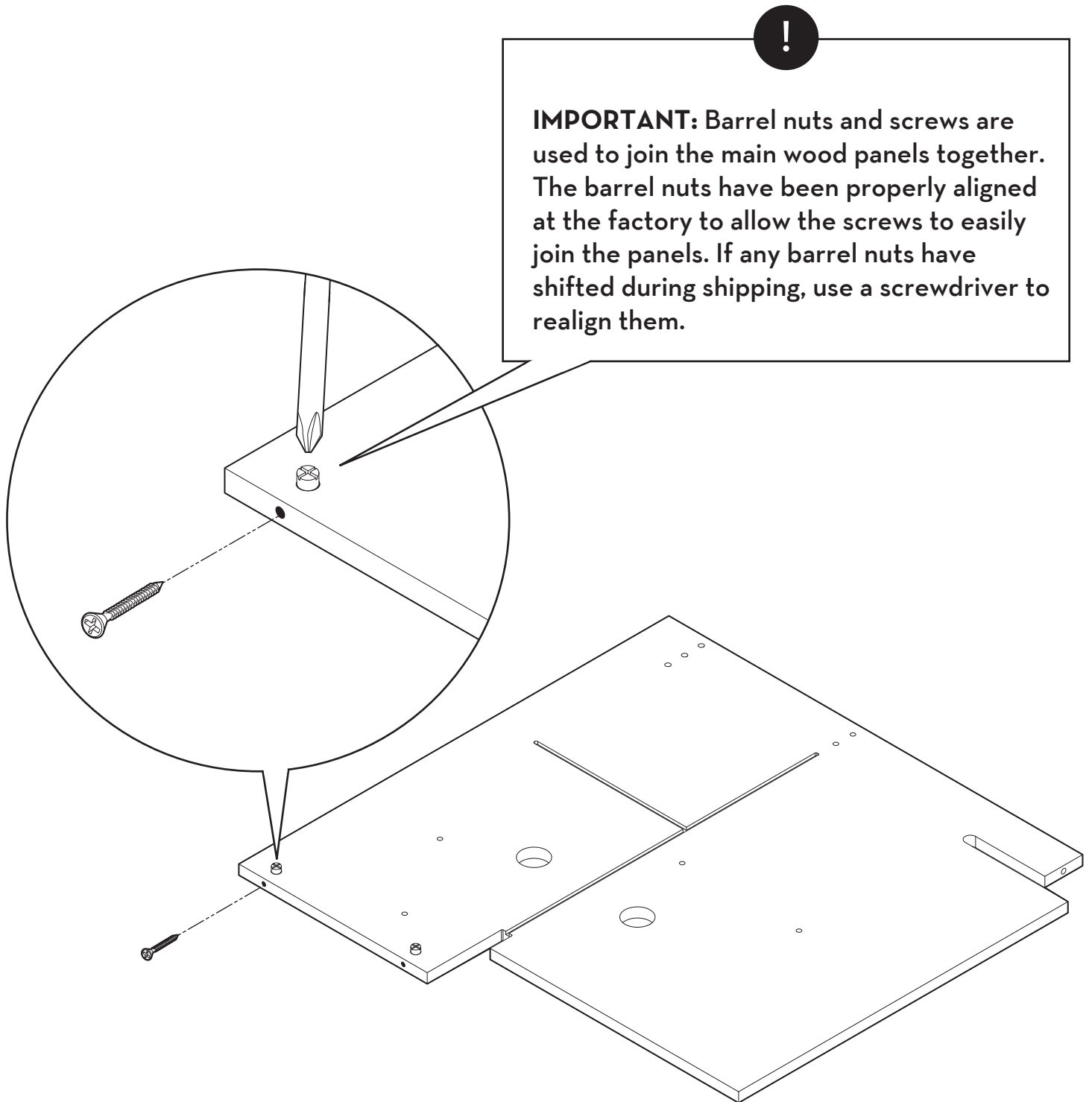
To complete assembly, use hand-held screwdriver to make all screws flush with wooden panels.  
**DO NOT OVER-TIGHTEN!**



Only tighten screws until they are **FLUSH** with wooden panels.  
Over-tightening will cause product to crack!

# Helpful Hints and Tips

- Note: Some packages of hardware may have extra pieces.
- You will need a Phillips head screwdriver to assemble the Baby Care Activity Center.

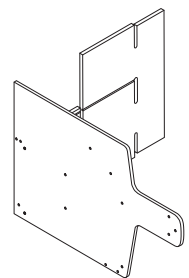
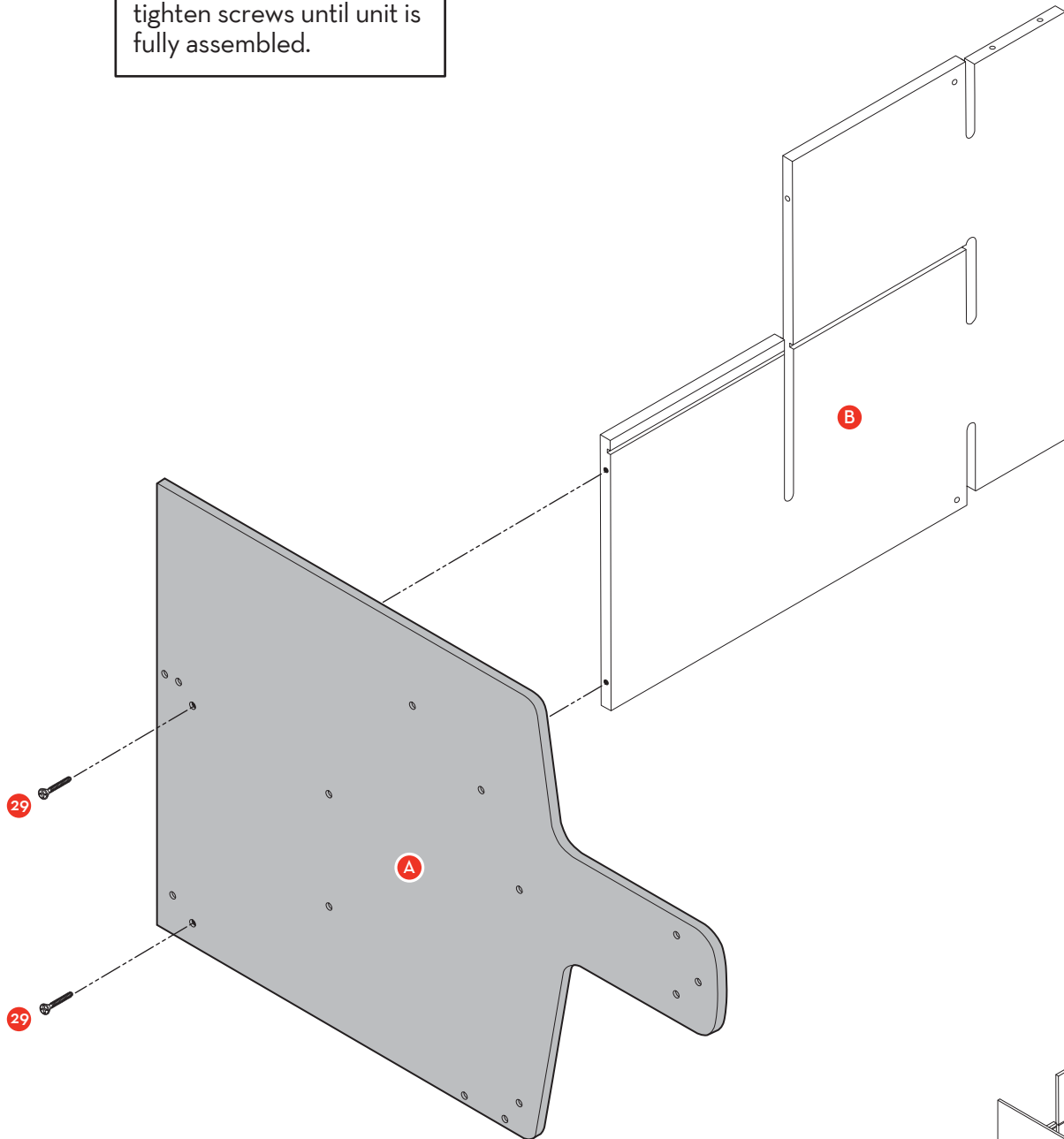


# STEP 1 - Every Journey Begins with the First Step

Using 2 long screws (part 29), attach the side wall (part A) to the floor (part B).



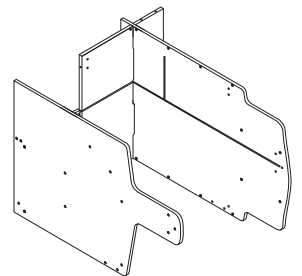
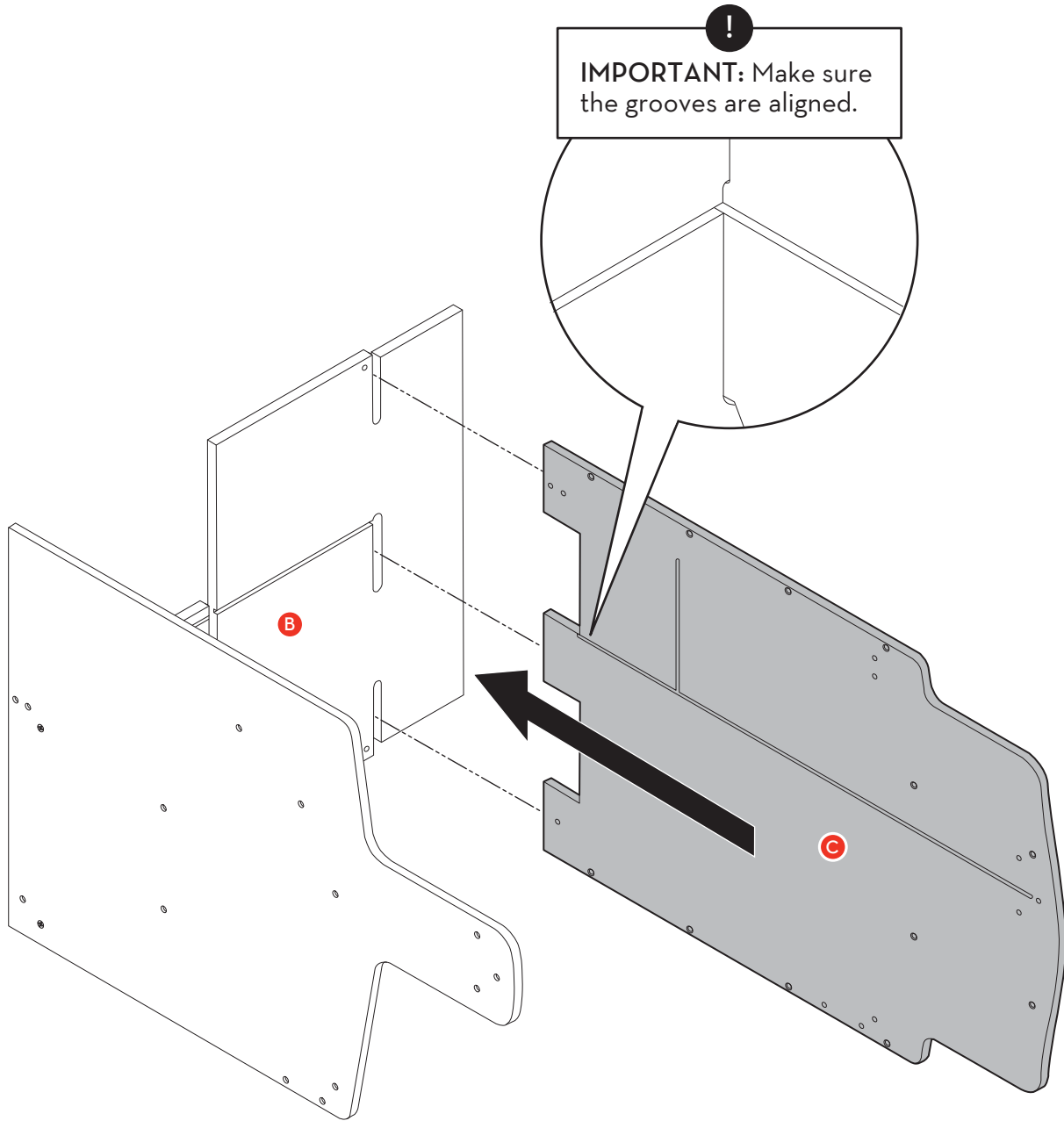
**!**  
**REMINDER:** Do not fully tighten screws until unit is fully assembled.



Assembled View

# STEP 2 - Get Back

Slide the cradle back (part C) into the slots on the floor (part B).

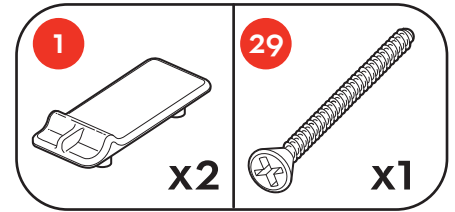


Assembled View

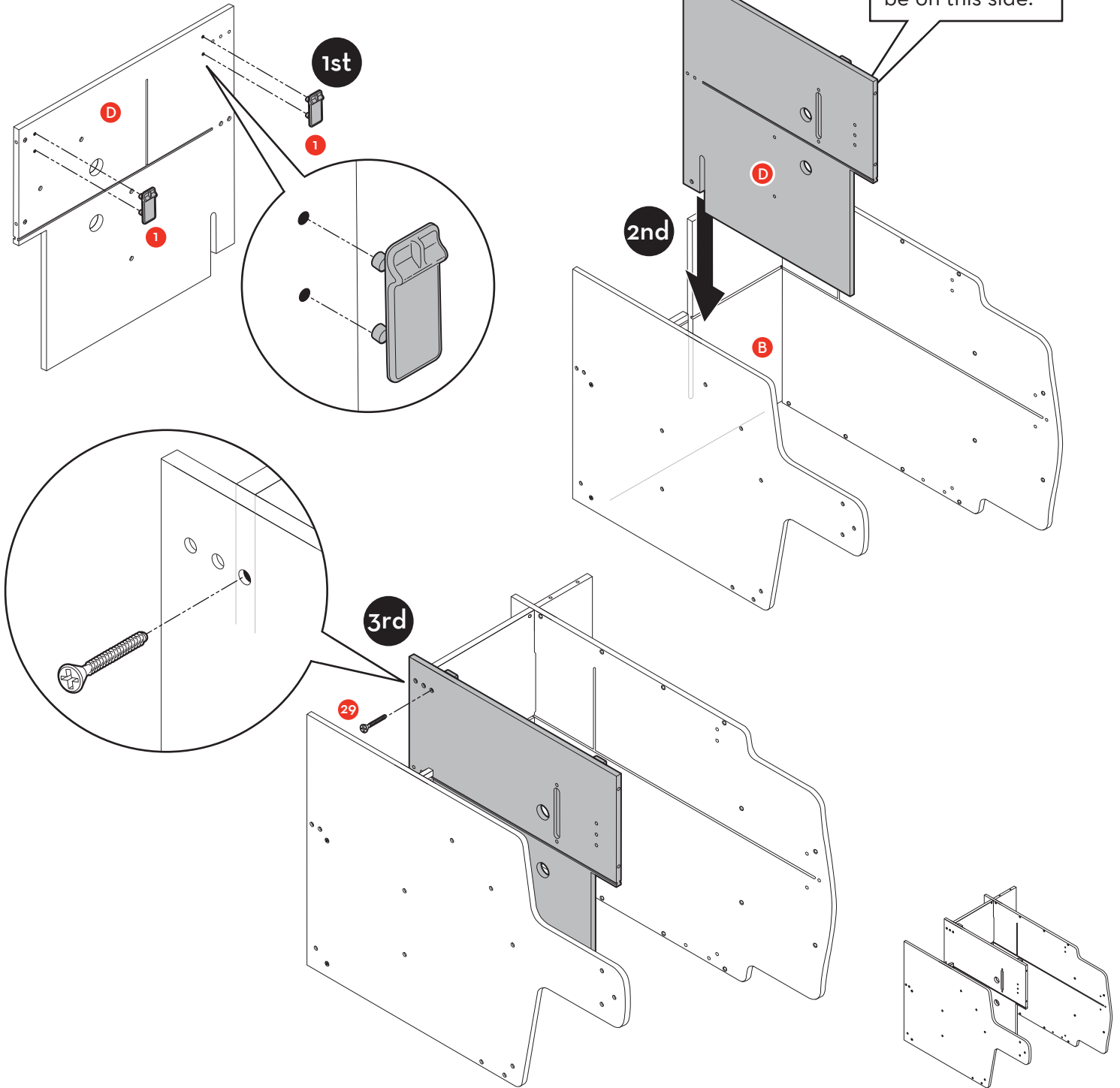


# STEP 3 - Divide & Conquer

- First, insert the 2 door stops (part 1) into the divider (part D).
- Second, slide the divider (part D) down into the slots in the floor (part B).
- Third, lift divider (part D) slightly to align the hole in divider with the hole in the floor. Using 1 long screw (part 29), attach divider to floor.

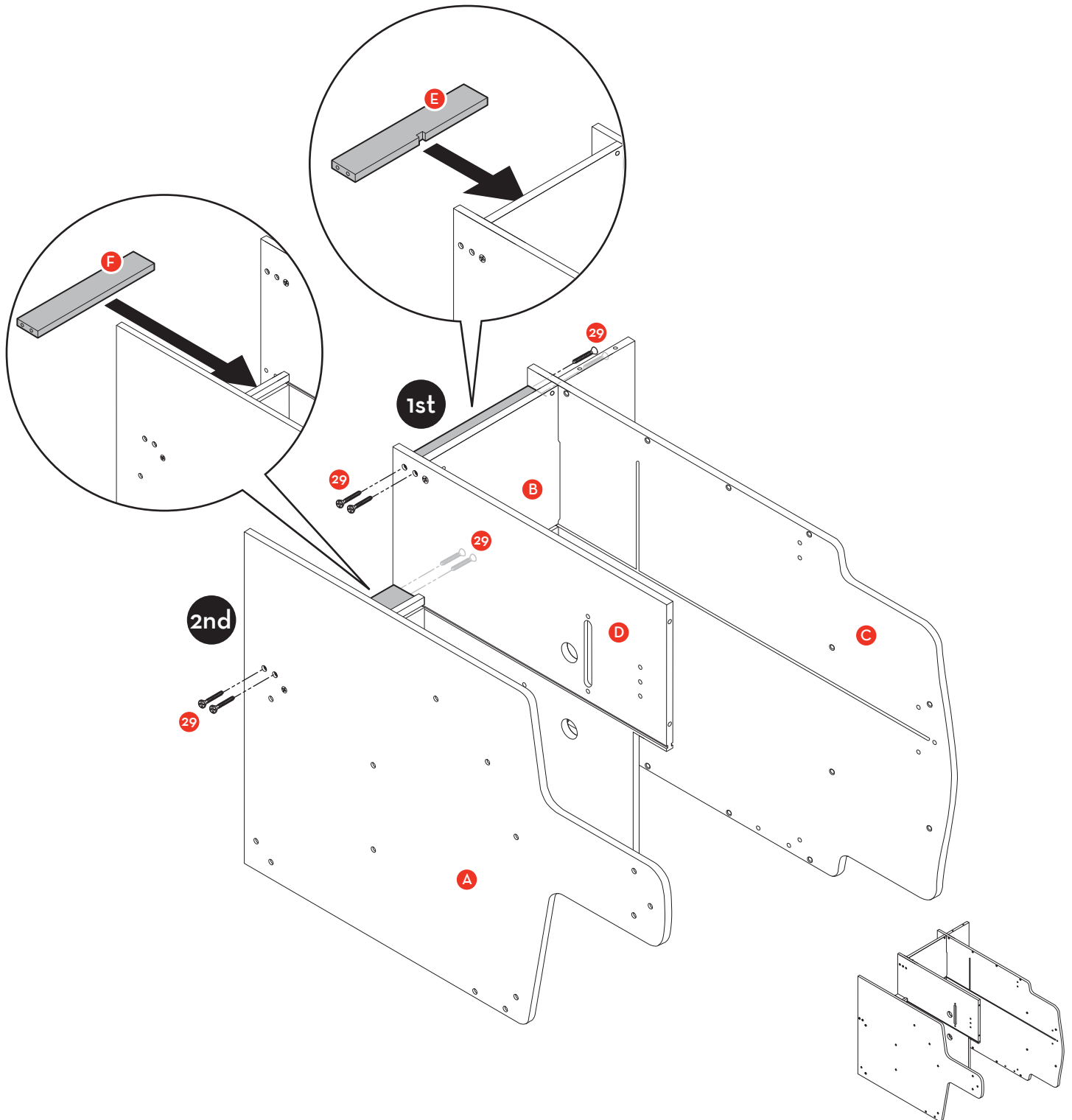


**!**  
**IMPORTANT:**  
Door stops will be on this side.



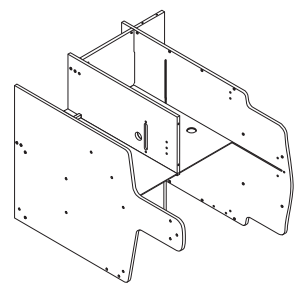
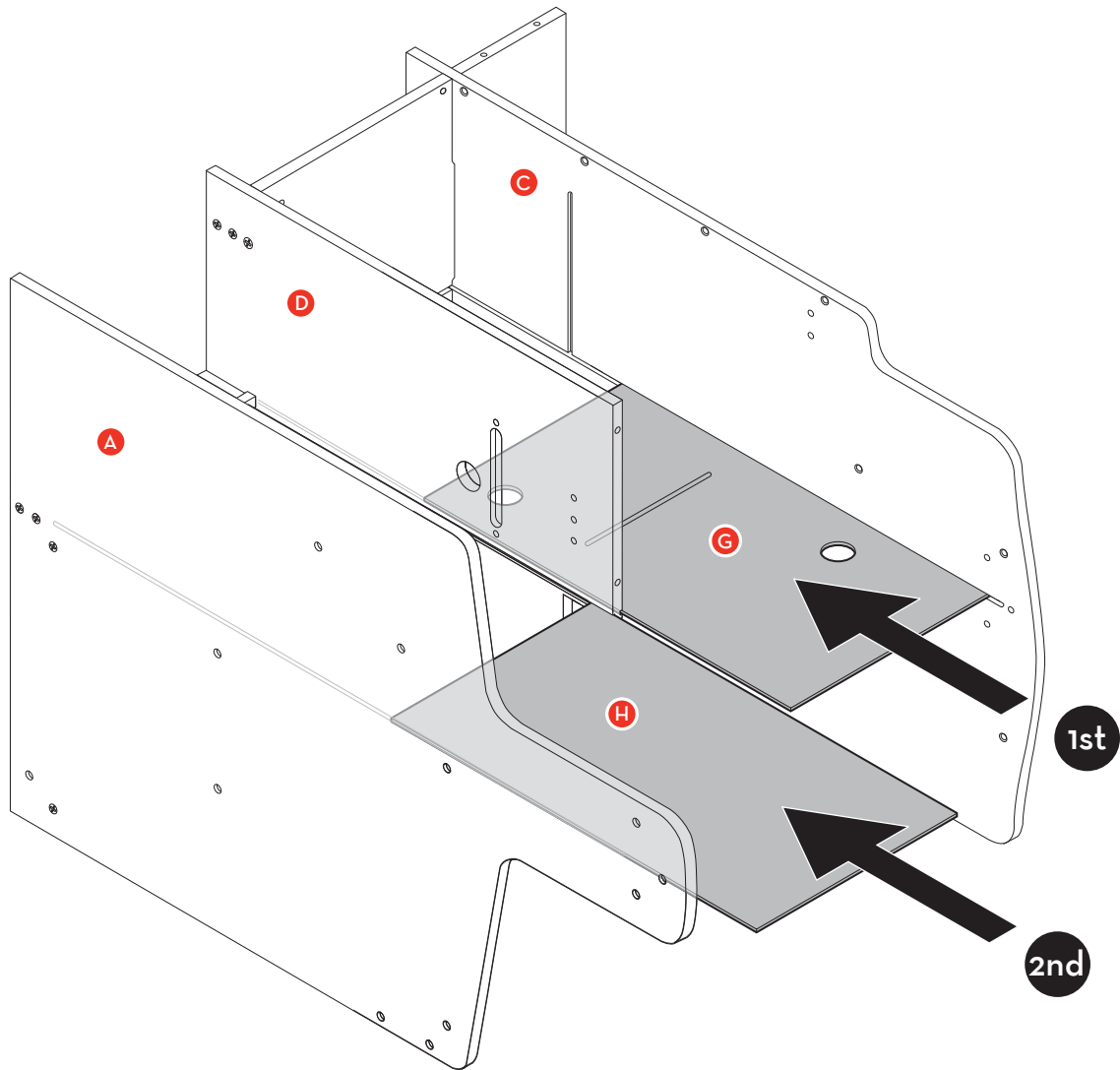
# STEP 4 - Brace Yourself

- First, using 4 long screws (part 29), attach notched brace (part E) between the cradle back (part C) and the divider (part D) under the floor (part B).
- Second, using 4 long screws (part 29) attach the brace (part F) between the divider (part D) and the side wall (part A).



# STEP 5 - Get Into The Grooves

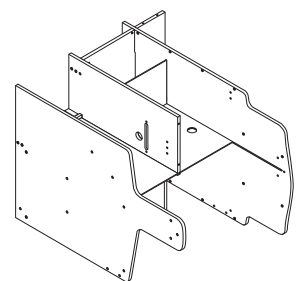
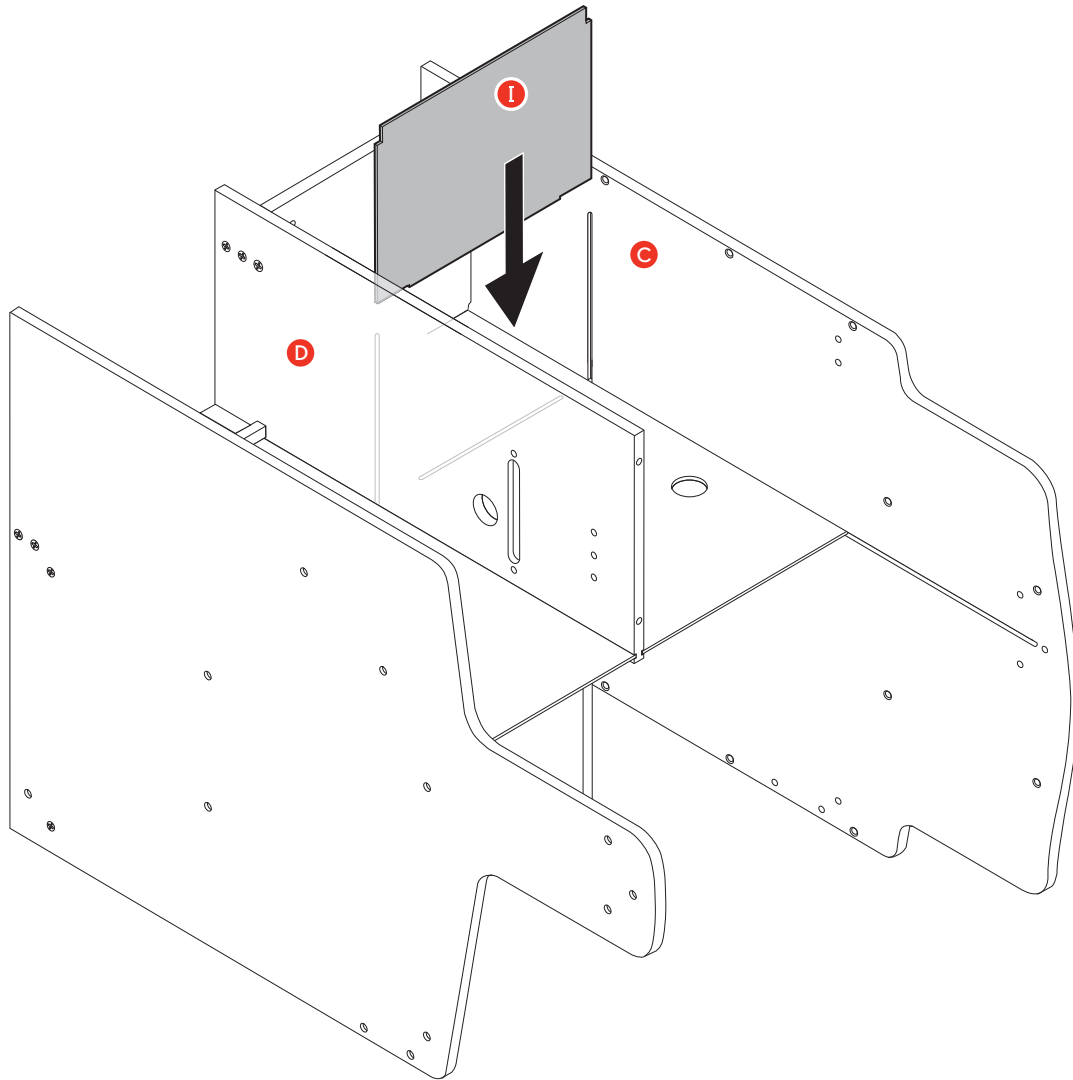
- First, slide the center panel with holes (part G) into the grooves between the cradle back (part C) and the divider (part D).
- Second, slide the center panel (part H) into the grooves between the divider (part D) and the side wall (part A).



Assembled View

## STEP 6 - Groovy

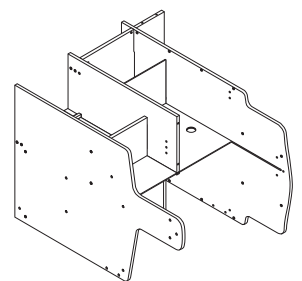
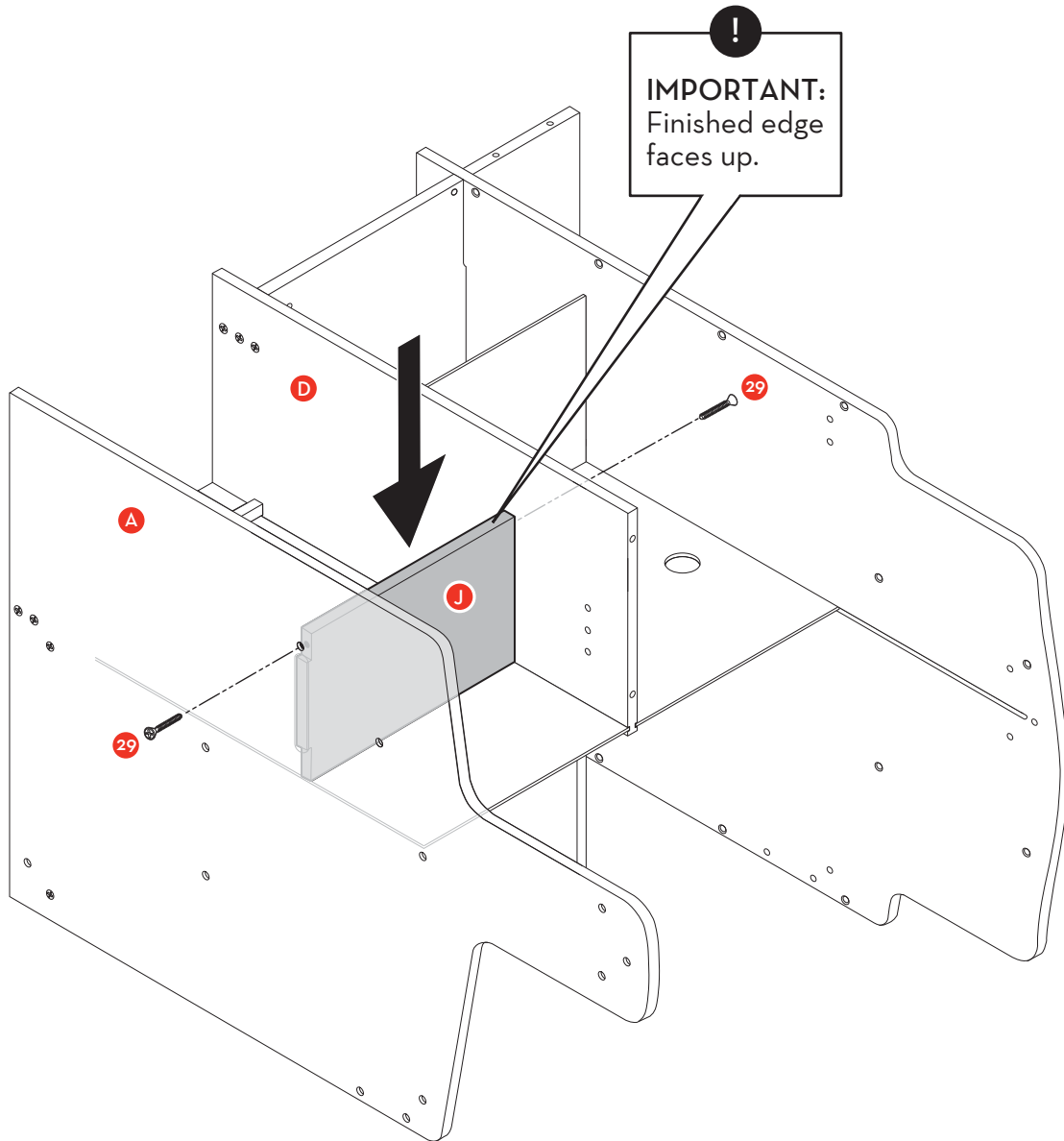
With the small notches on top, slide the fridge shelf (part I) into the grooves between the cradle back (part C) and the divider (part D).



Assembled View

# STEP 7 - Have A Seat

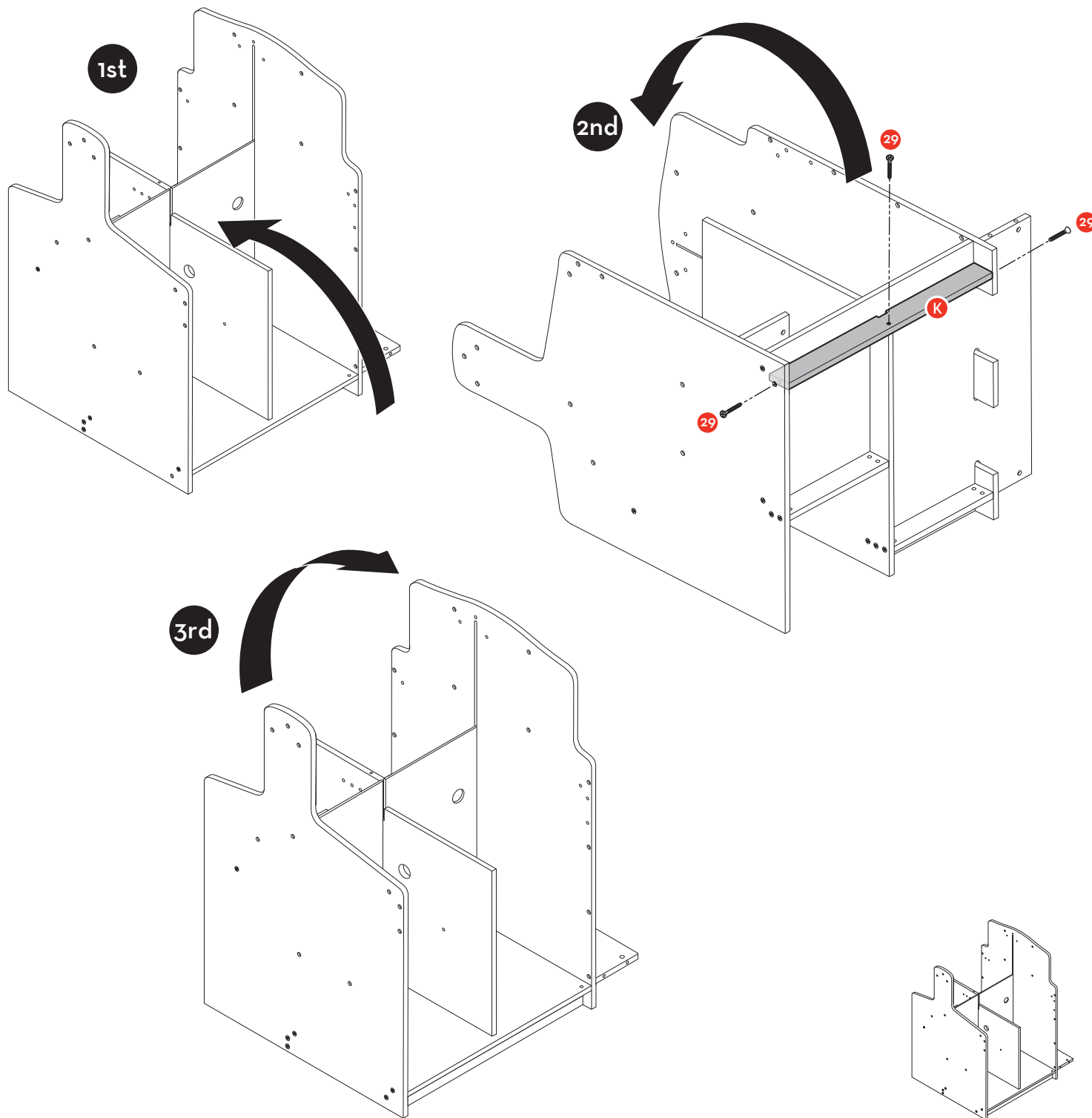
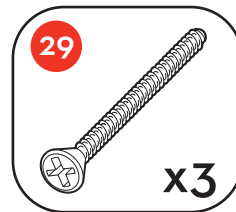
Slide the high chair seat (part J) into the slots between the divider (part D) and the side wall (part A). Attach with 2 long screws (part 29).



Assembled View

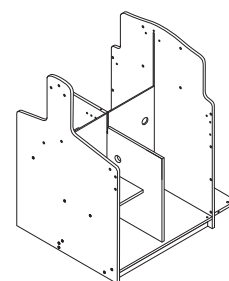
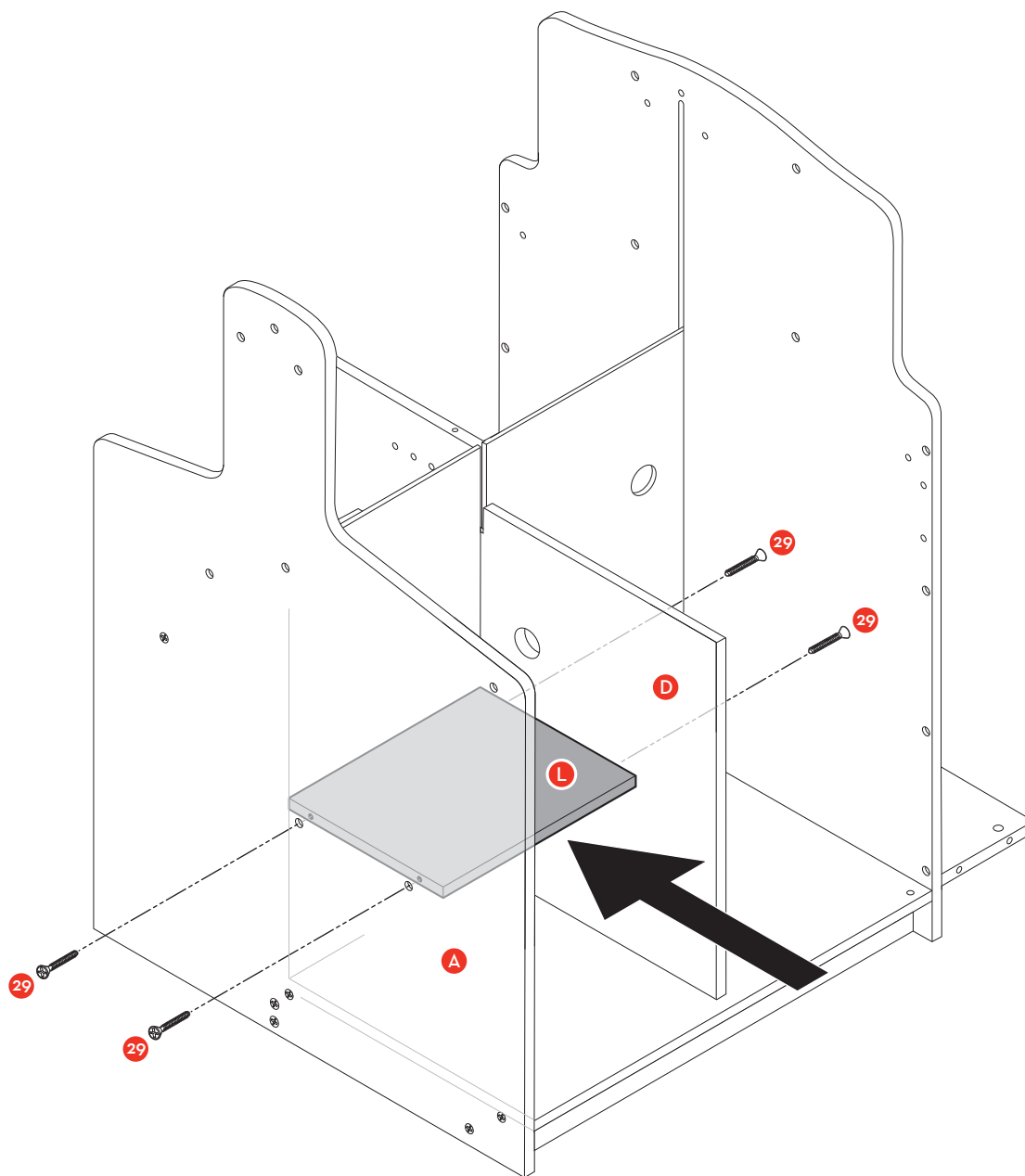
## STEP 8 - Tippy

- First, stand the center upright.
- Second, tip the center onto its side. Using 3 long screws (part 29), attach the baseboard (part K) under the floor (part B). Note the barrel nuts should not face out.
- Third, stand the center back upright.



# STEP 9 - Do It Yourself

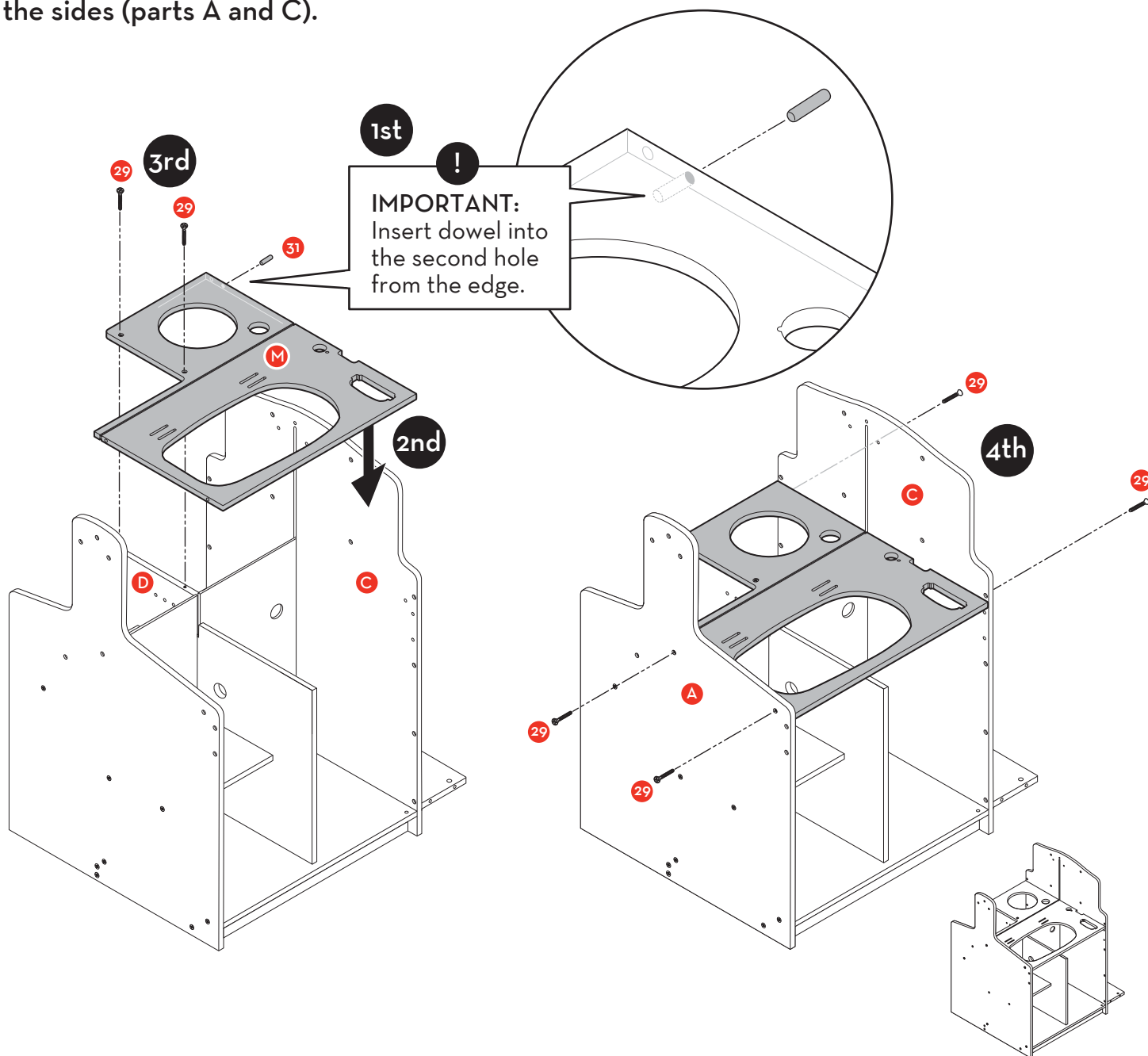
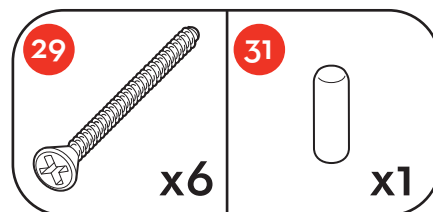
Using 4 long screws (part 29), attach the bathroom shelf (part L) to the divider (part D) and the side wall (part A).



Assembled View

# STEP 10 - Counter Attack

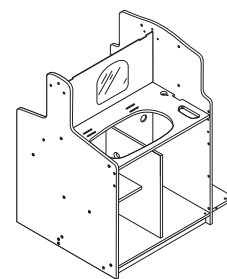
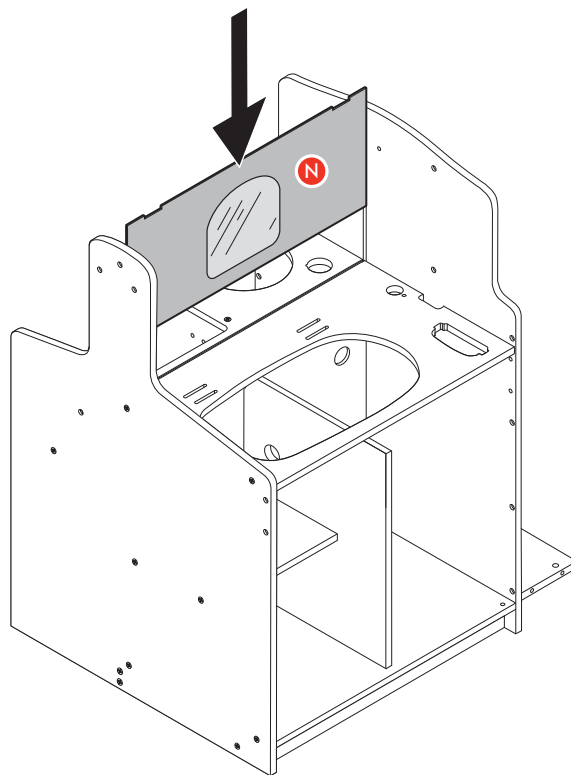
- First, insert a wooden dowel (part 31) into the counter (part M) near the kitchen sink.
- Second, lower the counter onto the doll center. The center panel will fit into the groove on the underside of the counter and the dowel will fit in the hole on the cradle back panel (part C).
- Third, using 2 long screws (part 29), attach the counter to the divider (part D).
- Fourth, using 4 long screws (part 29), attach the counter to the sides (parts A and C).





# STEP 11 - Center Yourself

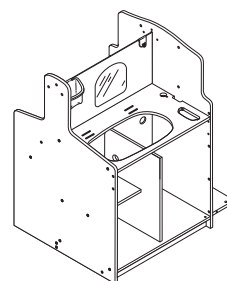
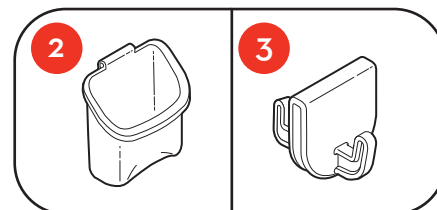
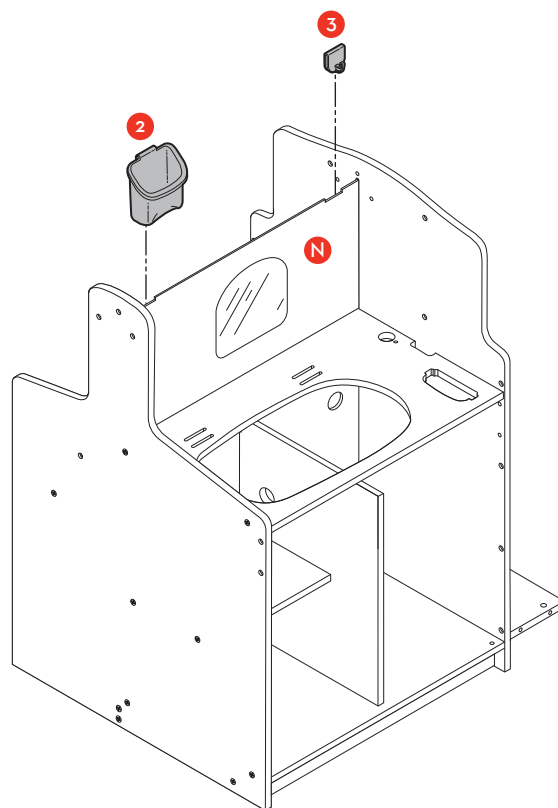
With the mirror over the bathtub opening and the notches on the top, slide the upper center panel (part N) down into the grooves.



Assembled View

# STEP 12 - Clip It

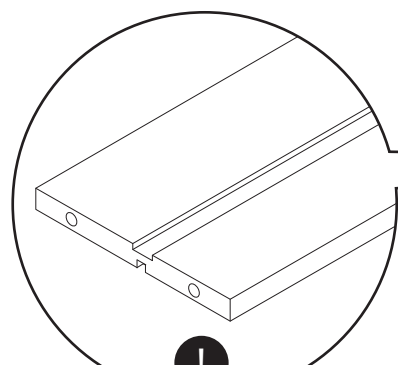
Clip the wipe dispenser (part 2) and the double sided hook (part 3) into the notches on the top of the upper center panel (part N).



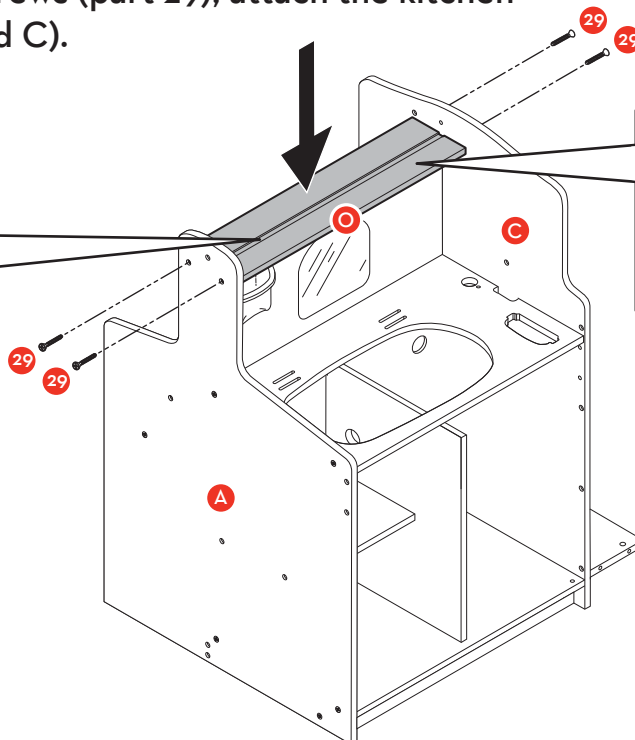
Assembled View

## STEP 13 - Top Shelf

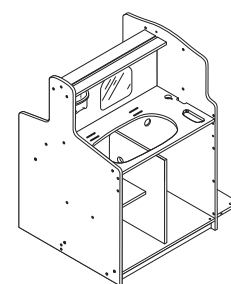
Lower the kitchen shelf (part O) onto the upper center panel. The center panel will fit into the narrow groove underneath the kitchen shelf. Using 4 long screws (part 29), attach the kitchen shelf to the sides (parts A and C).



**IMPORTANT:** Large groove on kitchen shelf (part O) should be facing up.



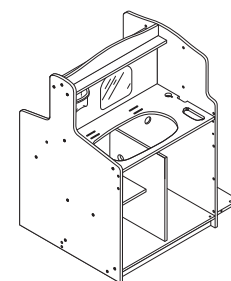
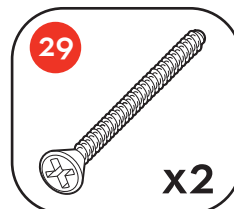
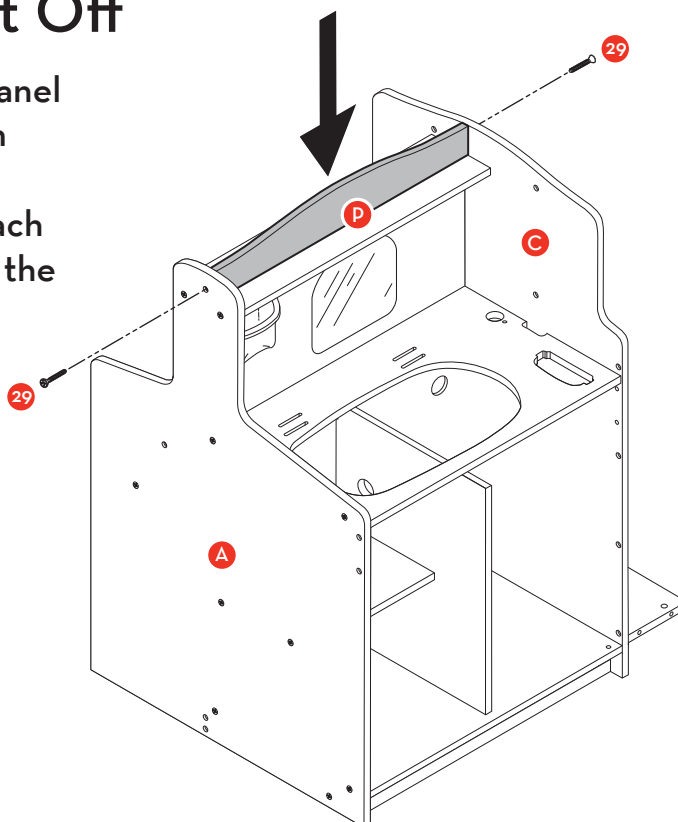
**IMPORTANT:** Narrow panel should be over changing and bathing area.



Assembled View

## STEP 14 - Top It Off

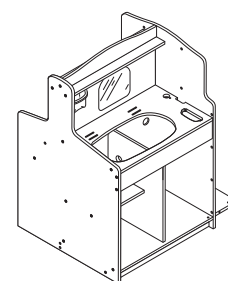
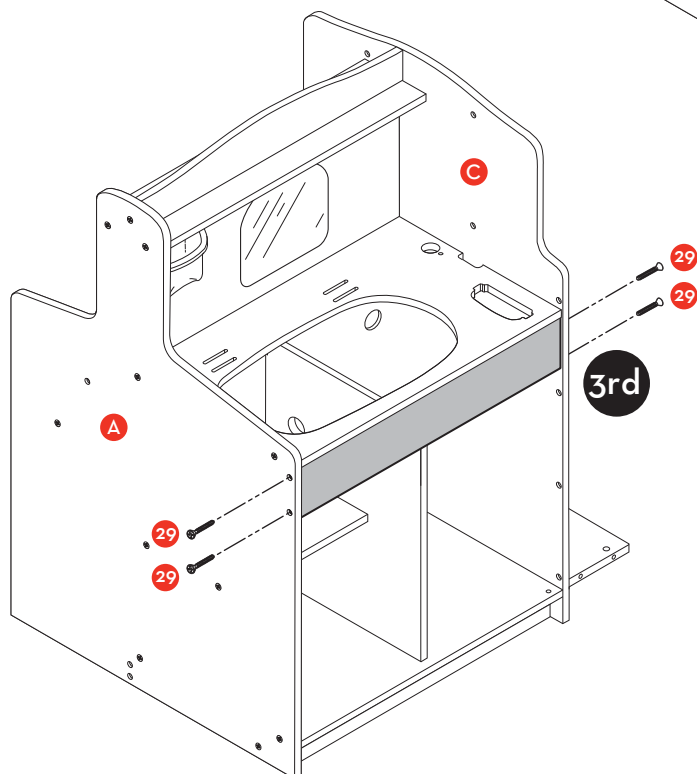
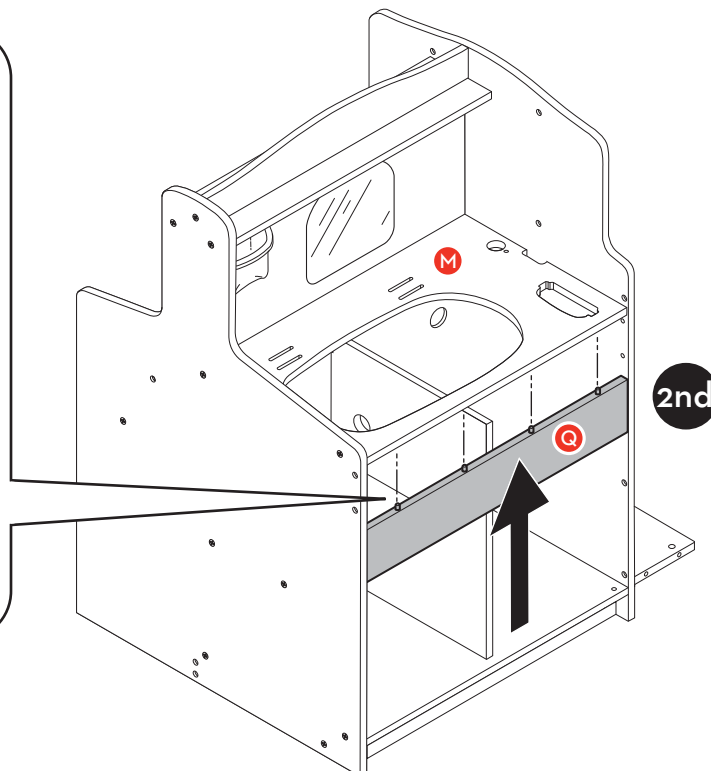
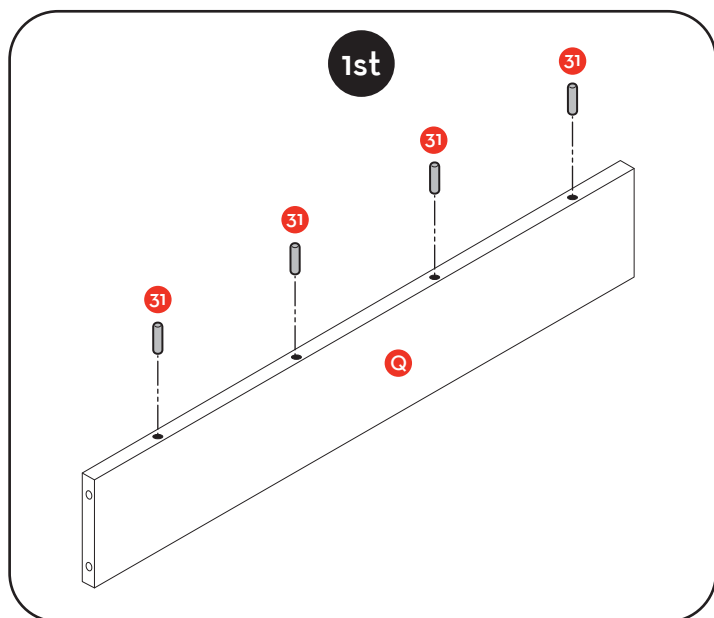
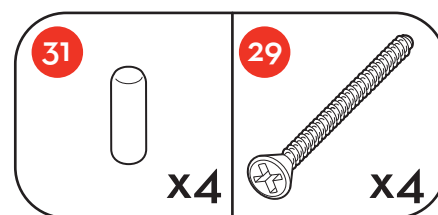
Lower the rounded top panel (part P) into the groove in the kitchen shelf. Using 2 long screws (part 29), attach the rounded top panel to the sides (parts A and C).



Assembled View

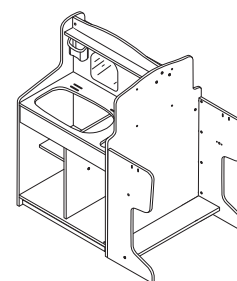
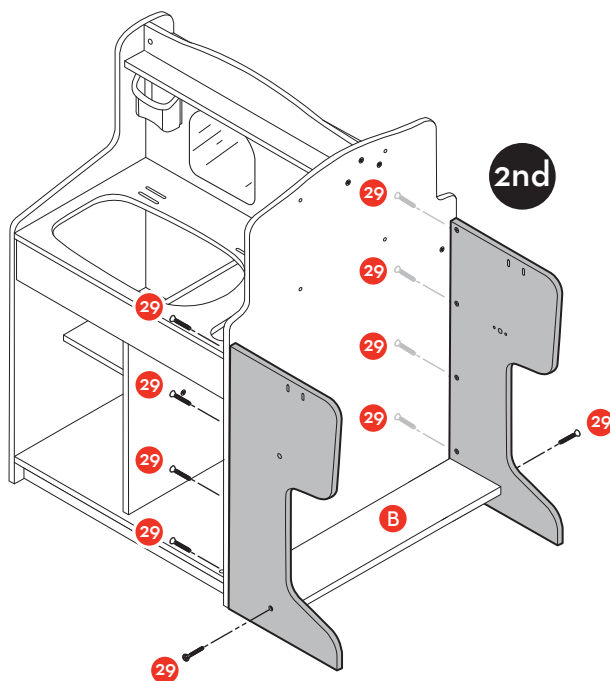
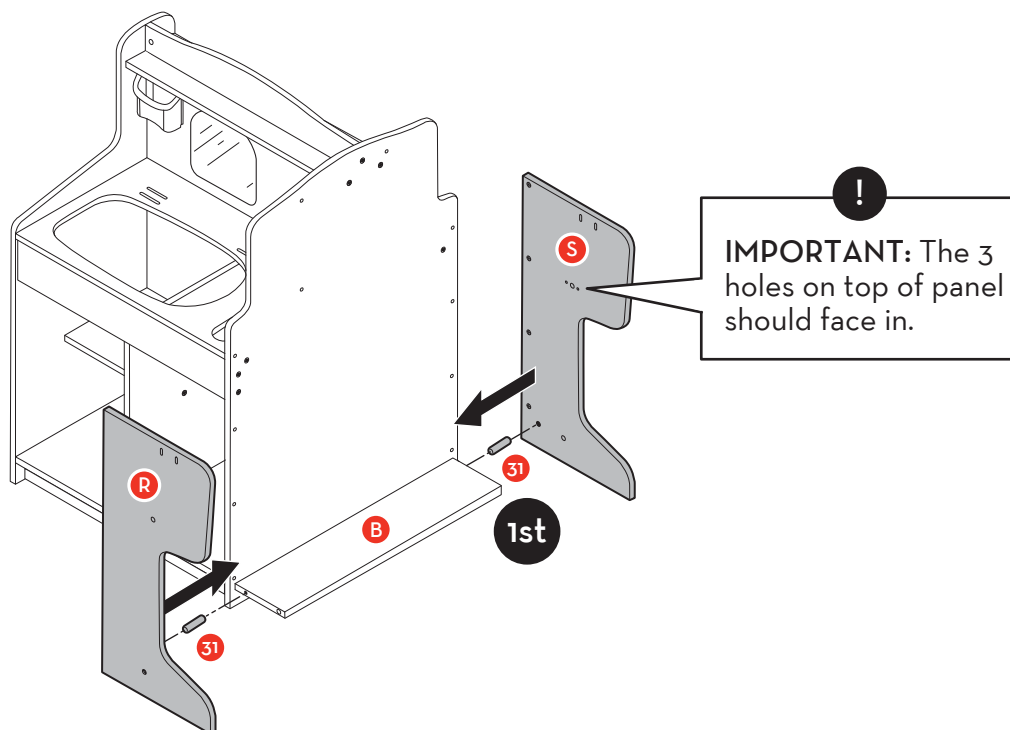
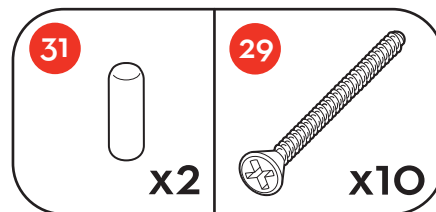
# STEP 15 - Don't Run Afoul of the Dowels

- First, insert 4 wooden dowels (part 31) into the holes in the top of the laundry front panel (part Q).
- Second, insert dowel pins into the holes on the underside of the counter (part M).
- Third, using 4 long screws (part 29), attach the laundry front panel to the sides (parts A and C).



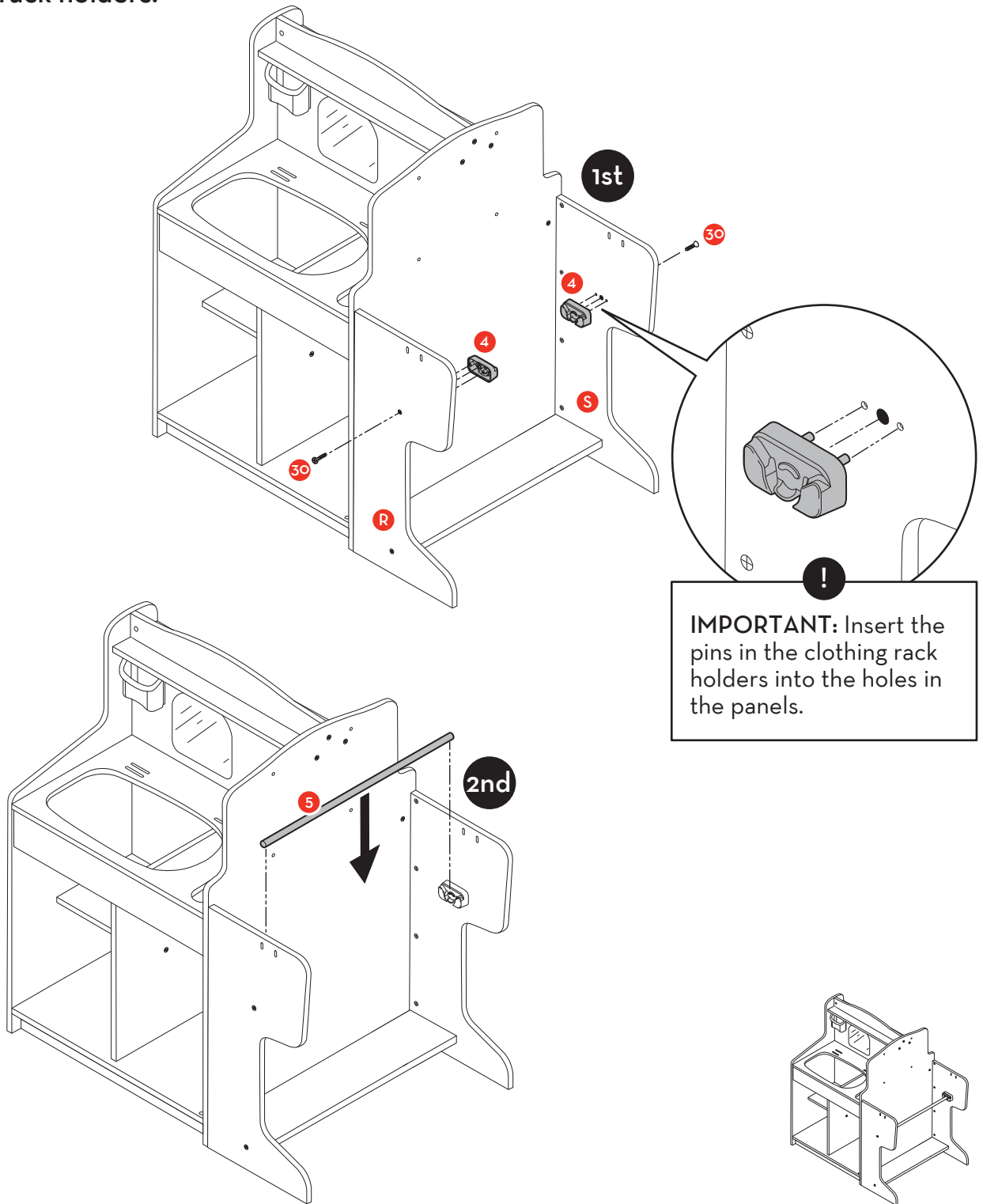
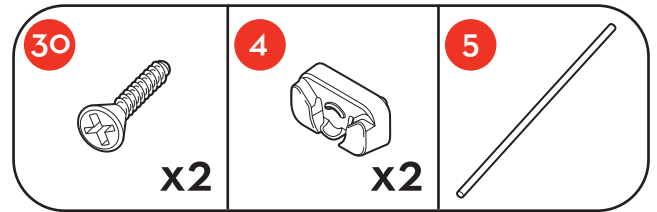
# STEP 16 - Left, Right, Left, Right

- First, insert wooden dowels (part 31) into the cradle left panel (part R) and the cradle right panel (part S) and then insert panels into the floor (part B).
- Second, using 10 long screws (part 29), attach the cradle left panel (part R) and the cradle right panel (part S) to cradle back (part C) and floor (part B).



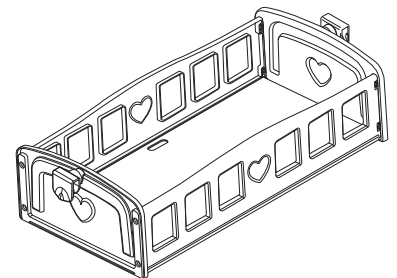
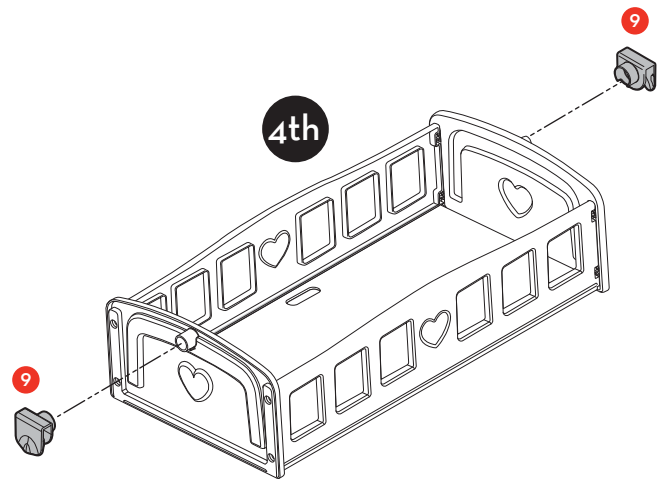
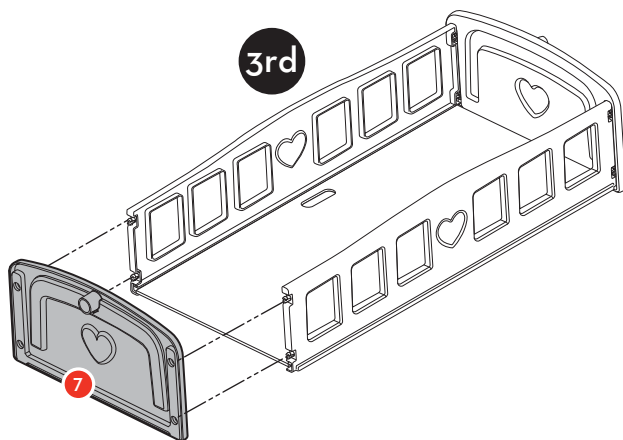
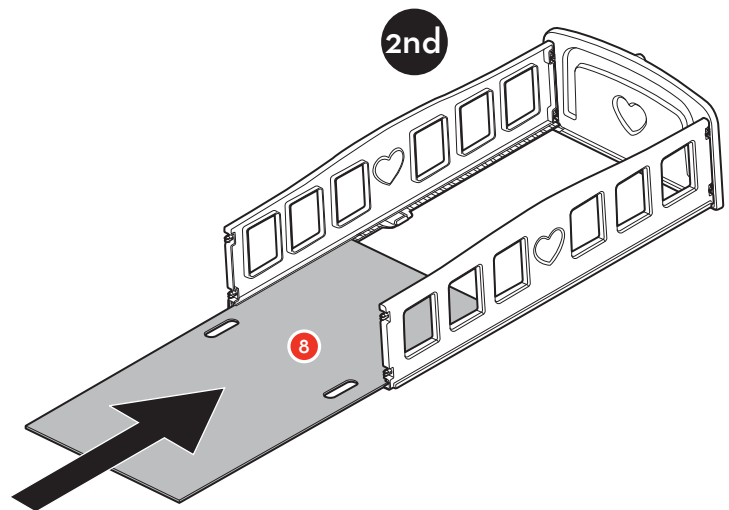
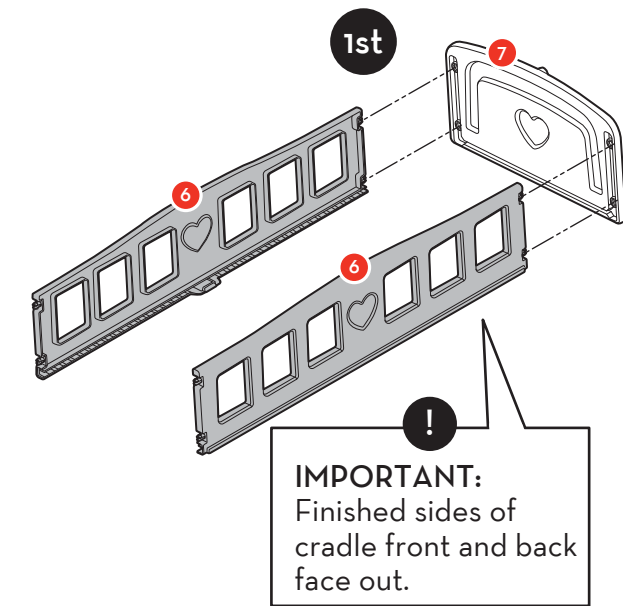
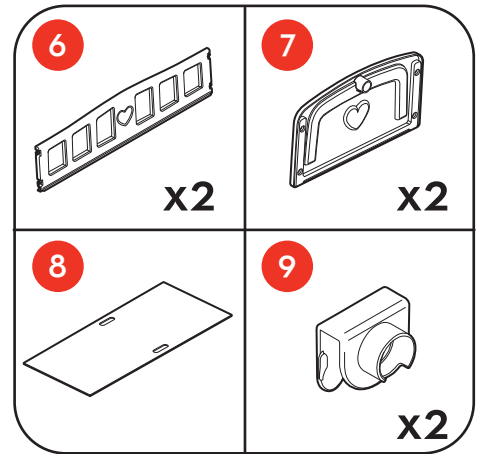
# STEP 17 - Hang It Up

- First, using 2 short screws (part 30), attach the clothing rack holders (part 4) to the insides of the left and right cradle panels (parts R and S).
- Second, lower the clothing rack (part 5) into the clothing rack holders.



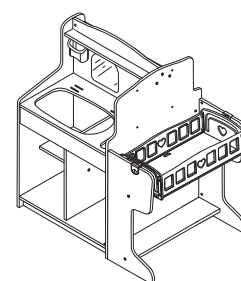
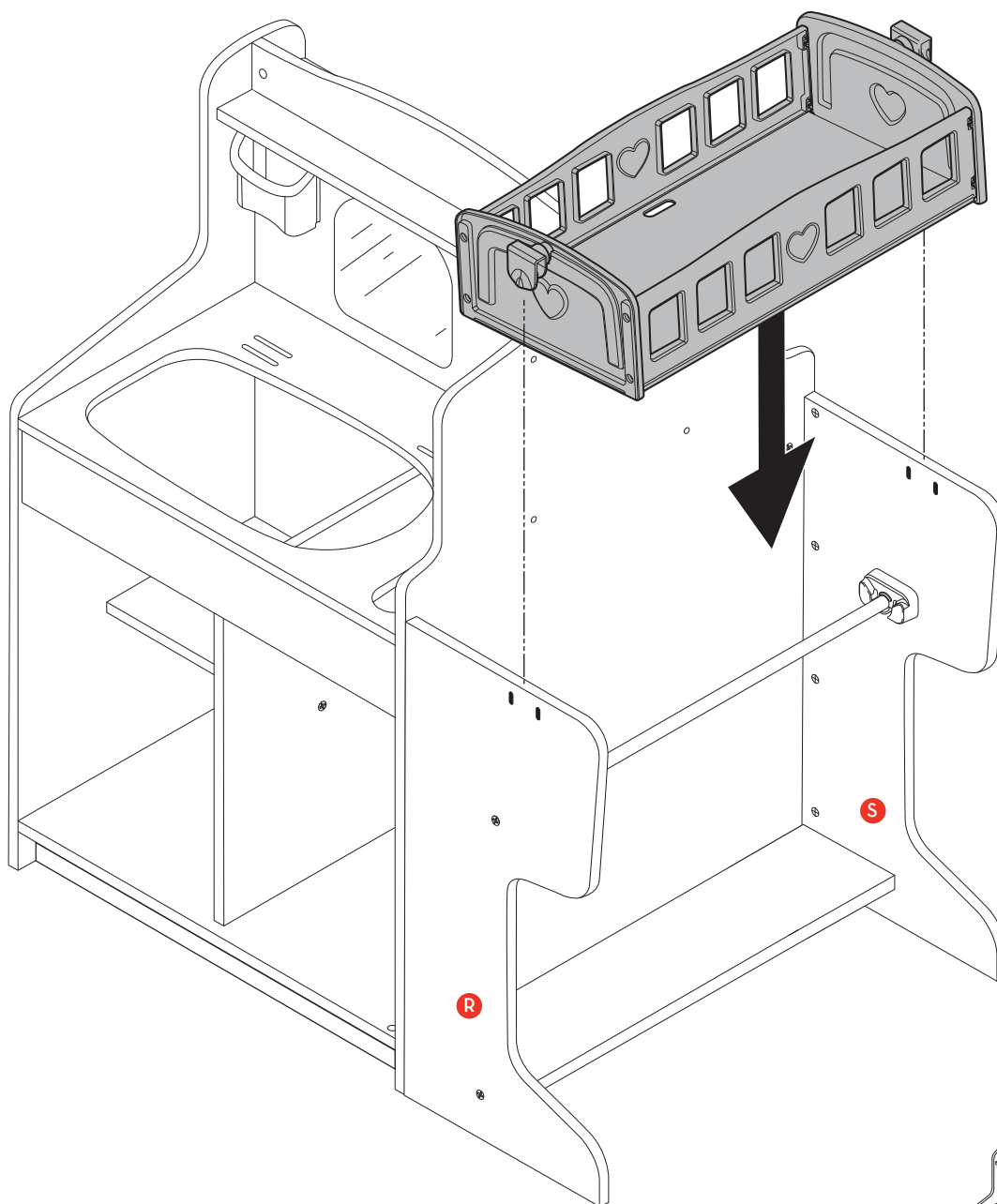
# STEP 18 - Bedtime

- First, snap fit the cradle front and back (part 6) to one of the cradle sides (part 7).
- Second, slide the cradle bottom (part 8) into the slot along the inside base of the cradle front and back.
- Third, snap fit the remaining cradle side (part 7) to the cradle assembly.
- Fourth, attach the cradle holders (part 9) to the knobs on the cradle sides.



# STEP 19 - Rock-a-Bye

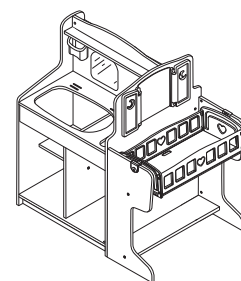
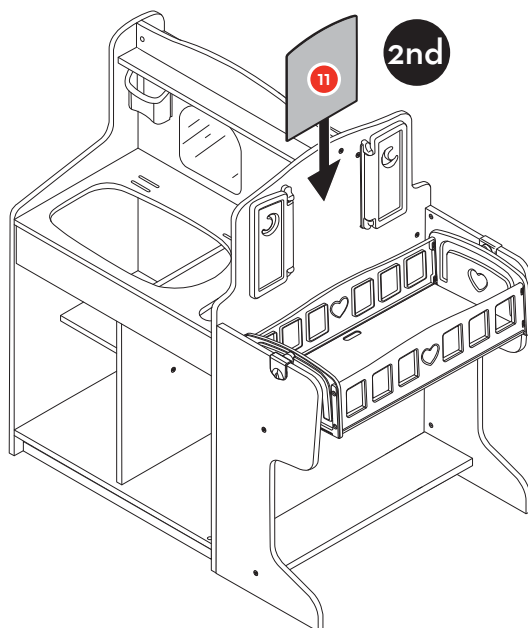
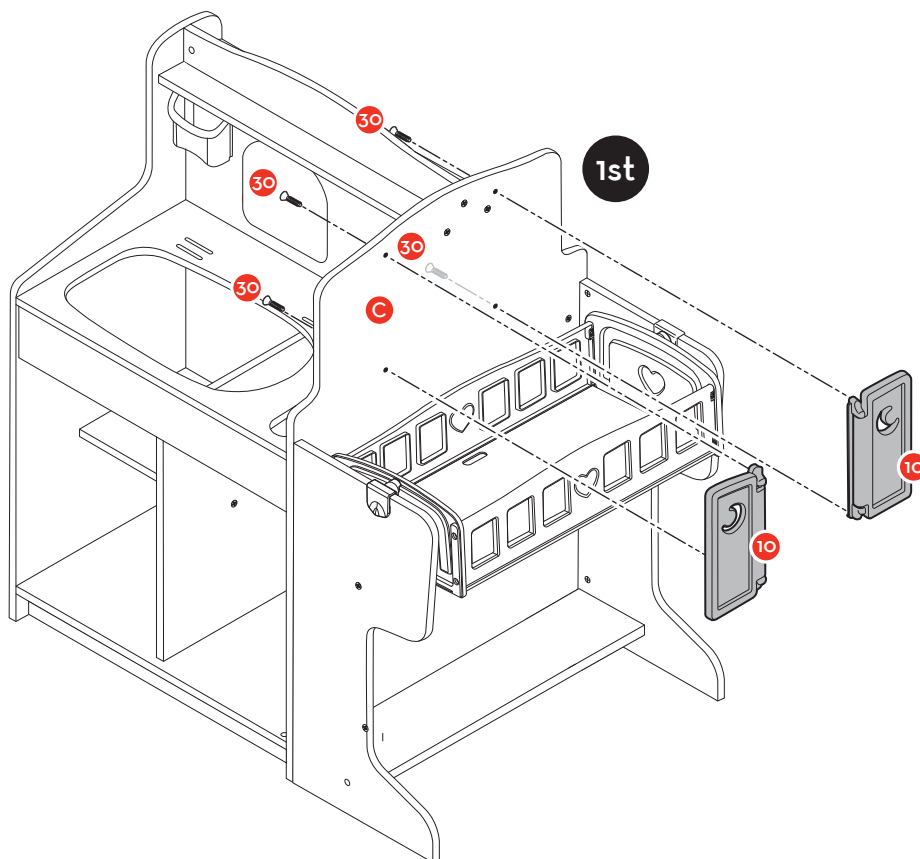
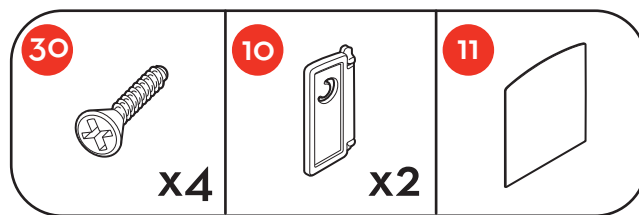
Lower the cradle into place. Clip the cradle holders into the slots on top of the cradle left and right panels (parts R and S).



Assembled View

# STEP 20 - Throw Wide the Shutters

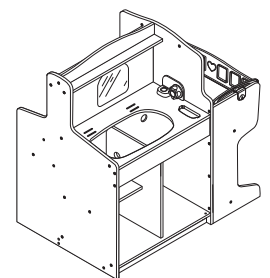
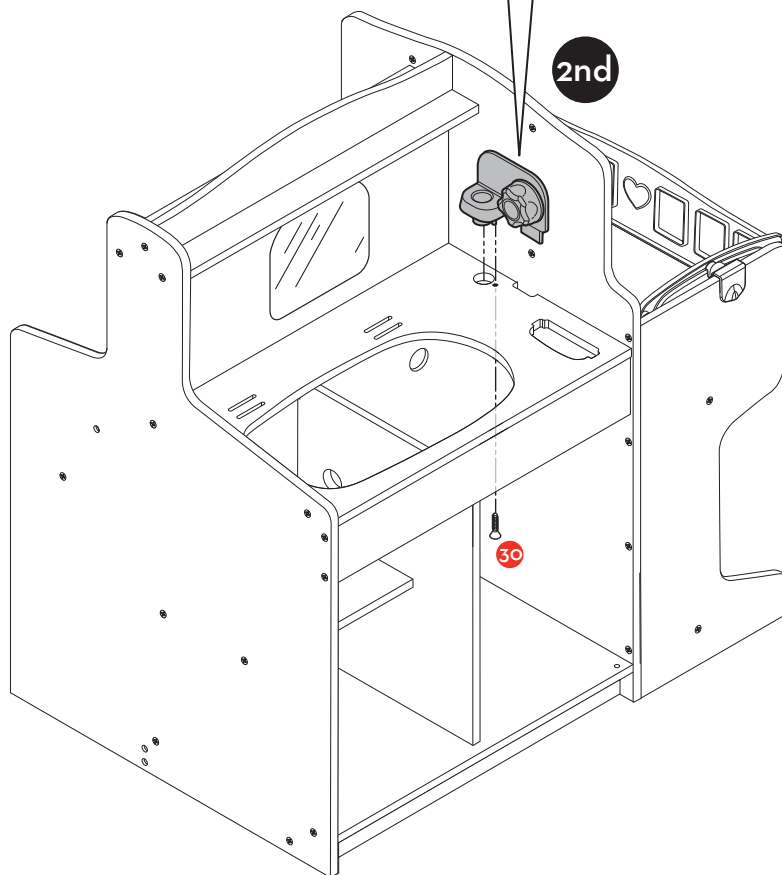
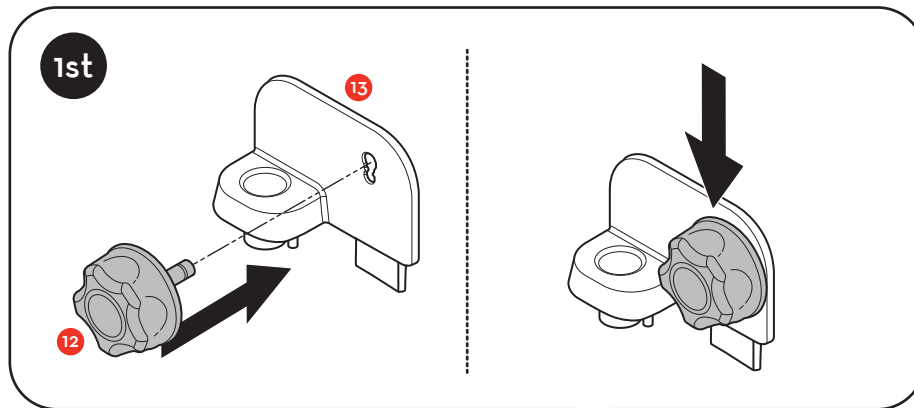
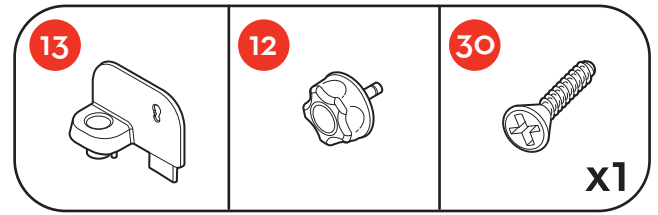
- First, using 4 short screws (part 30) attach the shutters (part 10) to the cradle back (part C).
- Second, slide the window card (part 11) into the slots in the shutters. (NOTE: Card is double sided to show either day or night scene.)





# STEP 21 - The Knob Will Do The Job

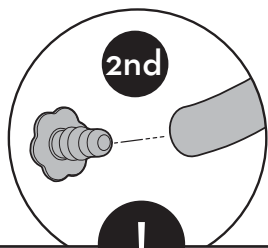
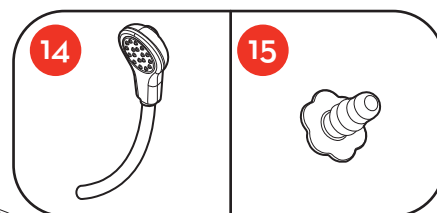
- First, insert the bath nozzle knob (part 12) into bath nozzle attachment (part 13). Press knob down until it clicks into place.
- Second, lower the bath nozzle attachment into the counter. Using 1 small screw (part 30), attach the bath nozzle attachment from underneath the counter.



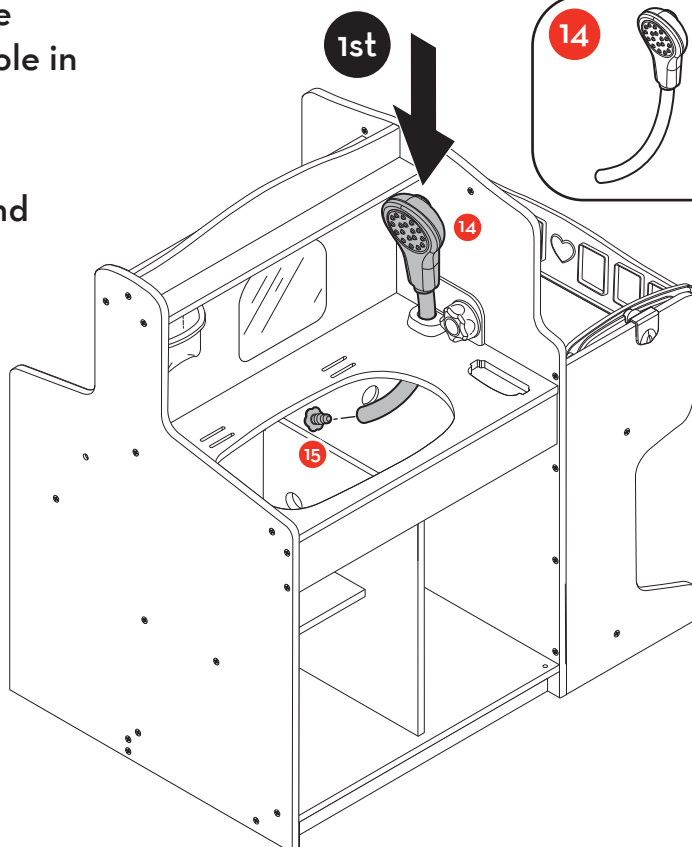
Assembled View

## STEP 22 - This Is Where The Hose Goes

- First, feed bath nozzle & hose (part 14) down through the hole in the bath nozzle attachment.
- Second, insert the bath hose stopper (part 15) into hose end underneath the counter.



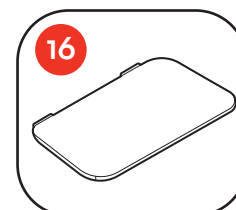
**HELPFUL HINT:** The bath hose stopper fits very tightly in hose. Apply a small amount of soap to help it slide into hose more easily.



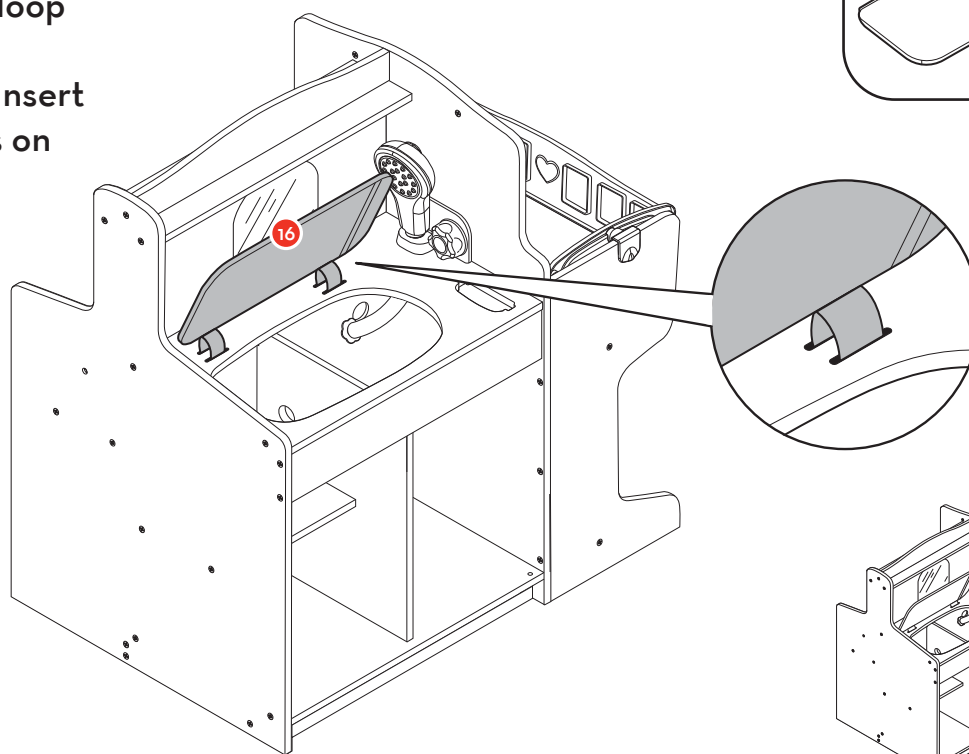
Assembled View

## STEP 23 - Change It Up

Separate the hook and loop fastener straps on the changing mat (part 16). Insert straps through the slots on the counter and press together.



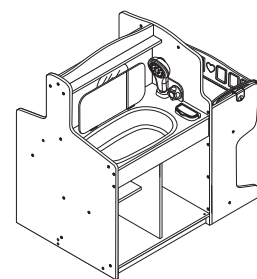
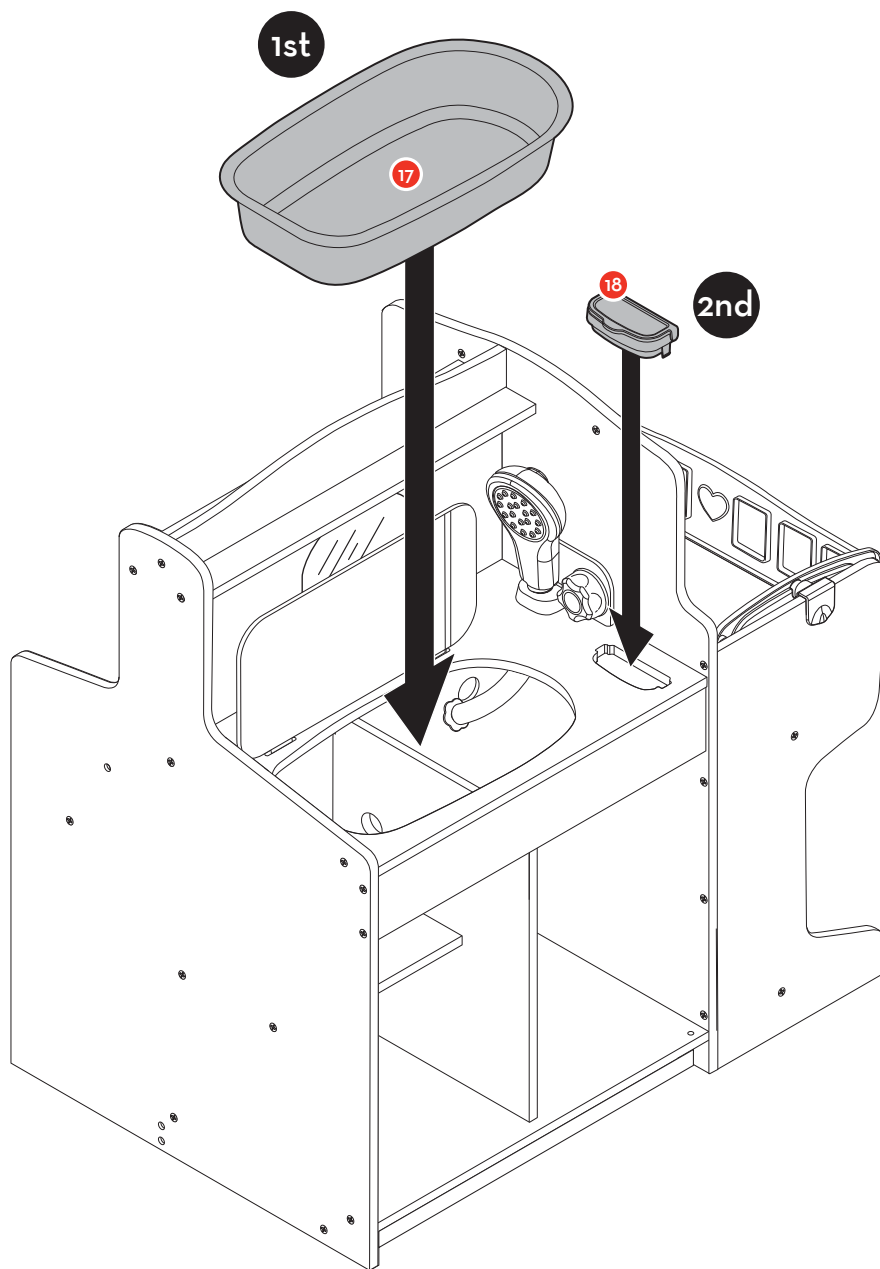
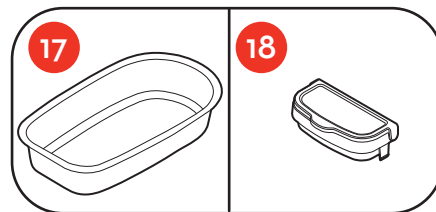
**IMPORTANT:** Be sure the seam on the changing mat is on the bottom.



Assembled View

# STEP 24 - Tub Time

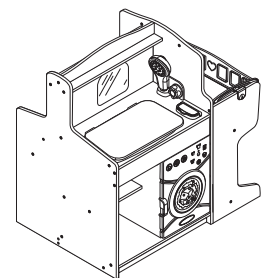
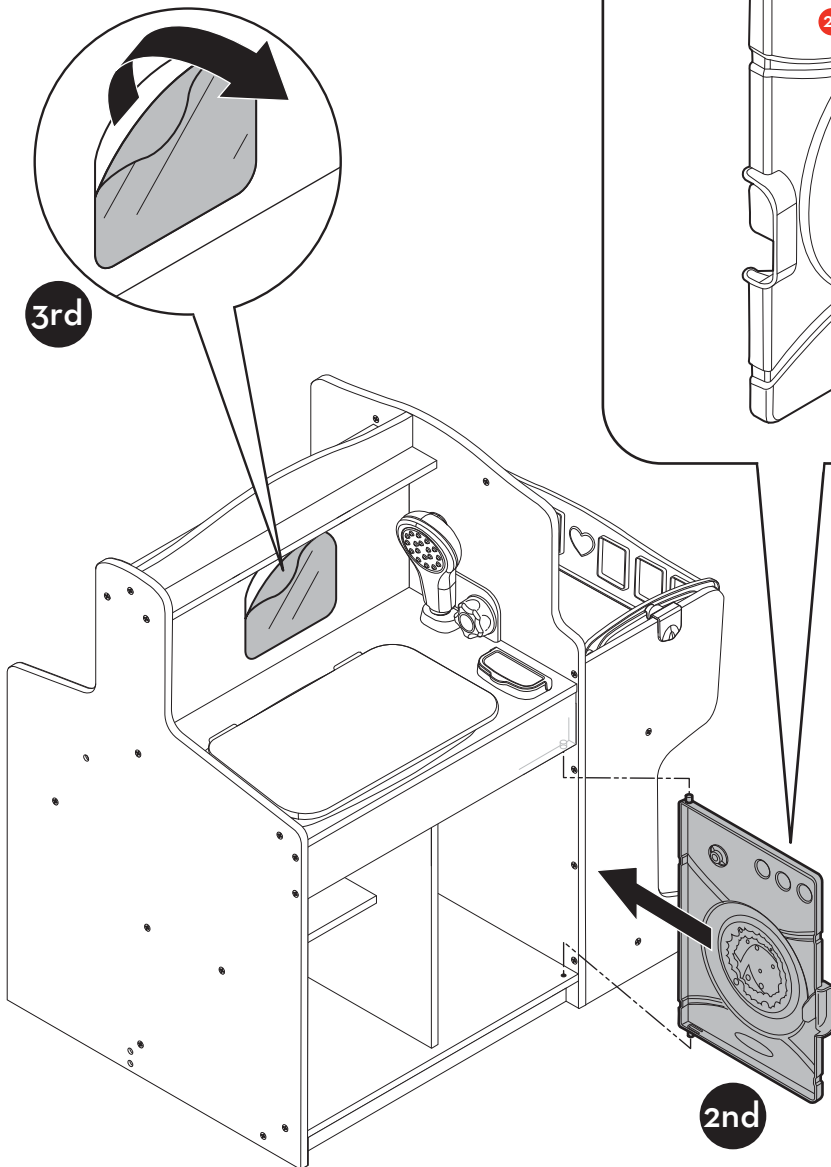
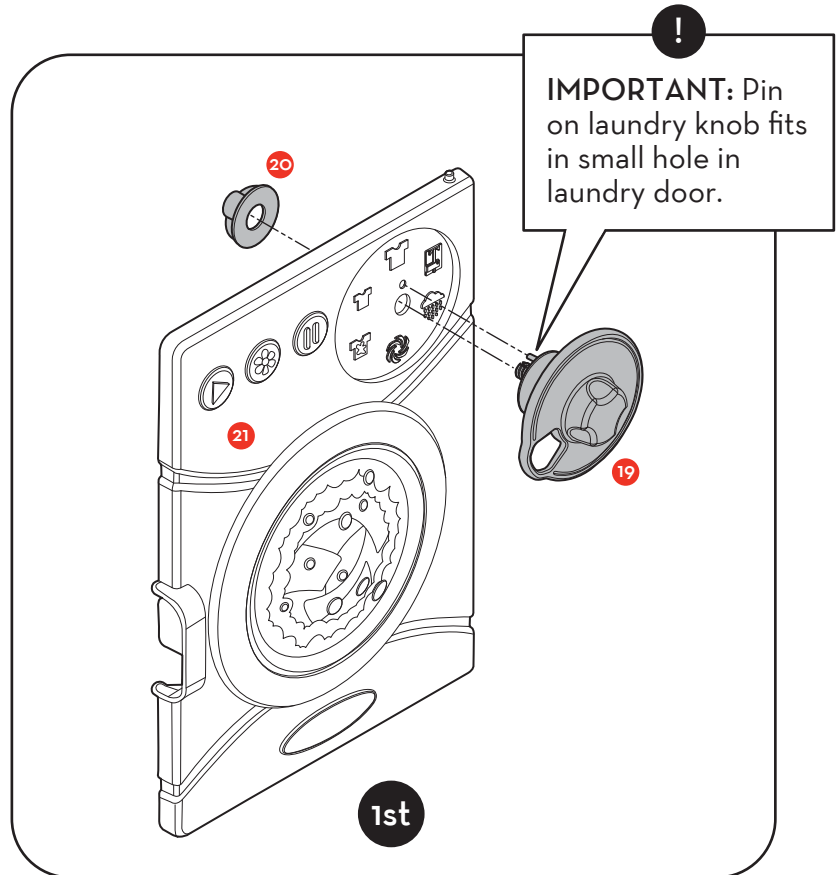
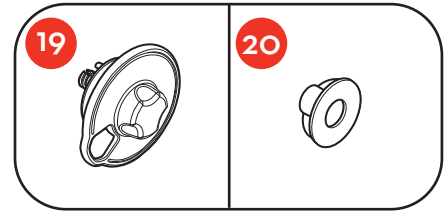
- First, lift the changing pad. With the flat side on the left and the curved side on the right, lower the bathtub (part 17) into the large hole in the counter.
- Second, insert the diaper door (part 18) into the hole in the counter. It will click into place.



Assembled View

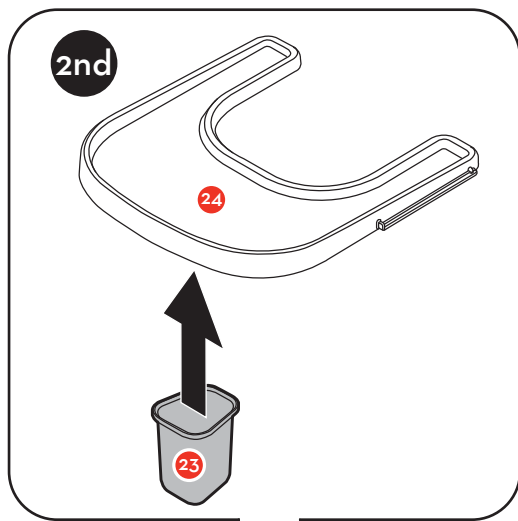
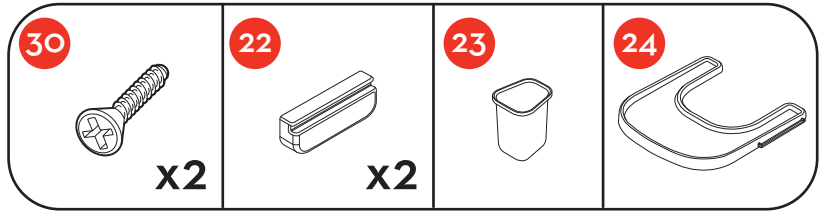
# STEP 25 - Add the Door and More

- First, insert the laundry knob (part 19) into the laundry door (part 21). From the back of the laundry door, attach the laundry knob connector (part 20) to the back of the laundry knob.
- Second, attach the laundry door by inserting the hinge pins into holes inside the counter and base (insert top pin first). The lower hinge pin flexes to help it attach to the base.
- Third, peel protective film off mirror.

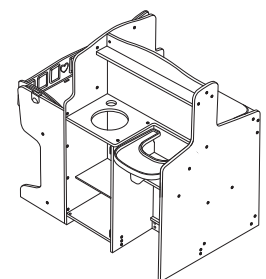
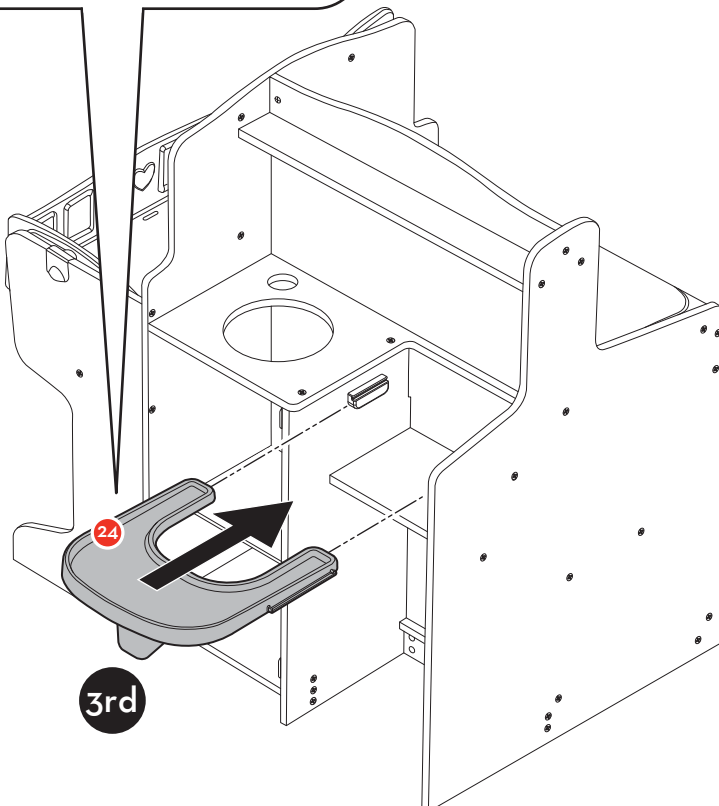
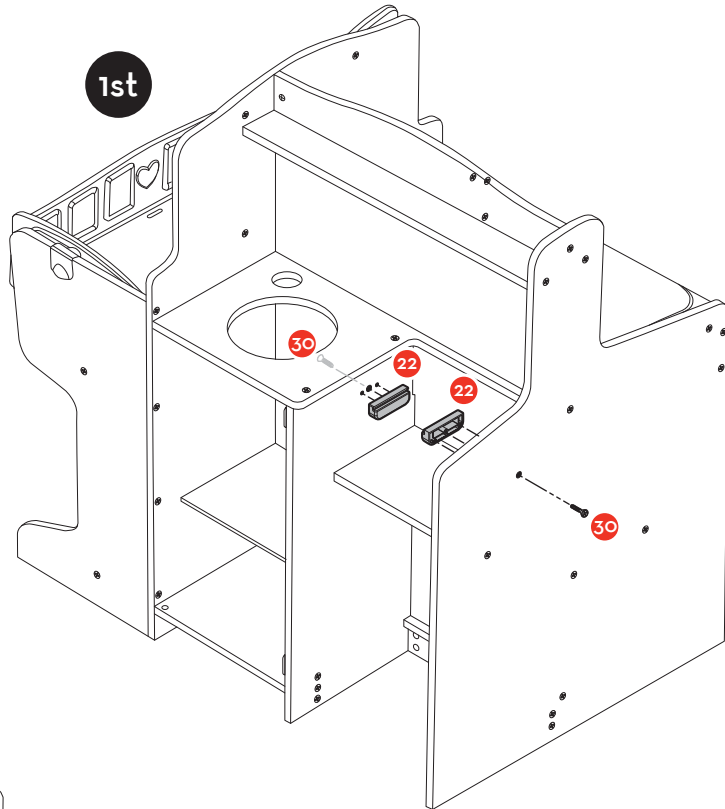


# STEP 26 - Take a Seat

- First, on the kitchen side, using 2 small screws (part 30), attach the high chair rails (part 22).
- Second, snap the high chair divider (part 23) to the bottom of the high chair tray (part 24).
- Third, slide the high chair tray (part 24) into the high chair rails.



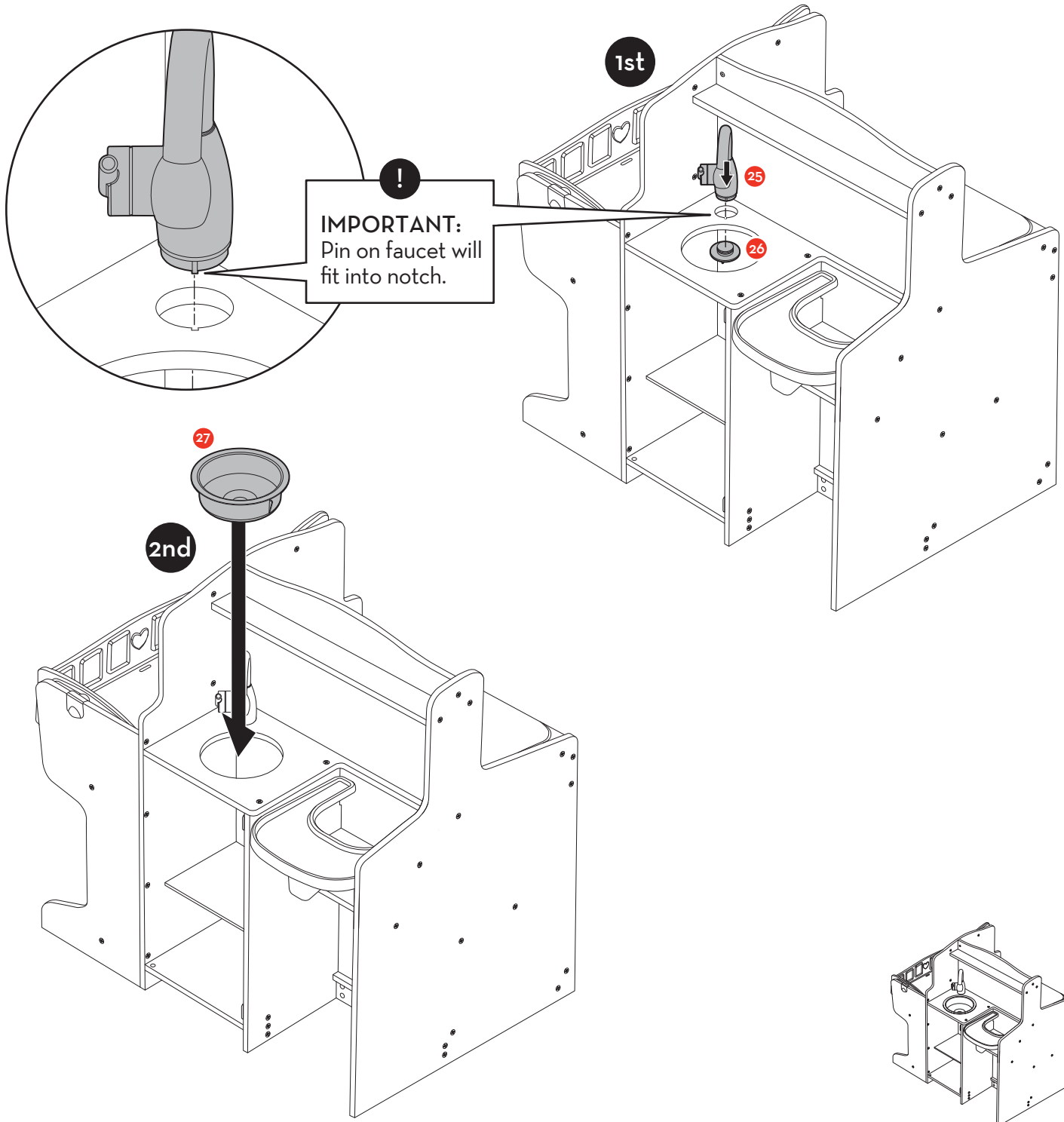
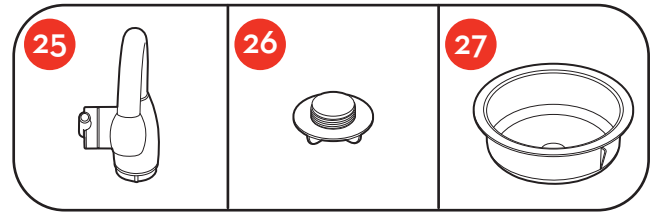
1st



Assembled View

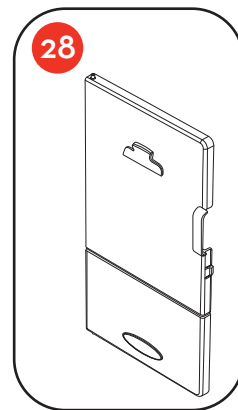
# STEP 27 - Everything and the Kitchen Sink

- First, insert the faucet (part 25) into the faucet hole and secure it with faucet screw (part 26) from beneath the counter.
- Second, lower the kitchen sink (part 27) into the hole in the counter.

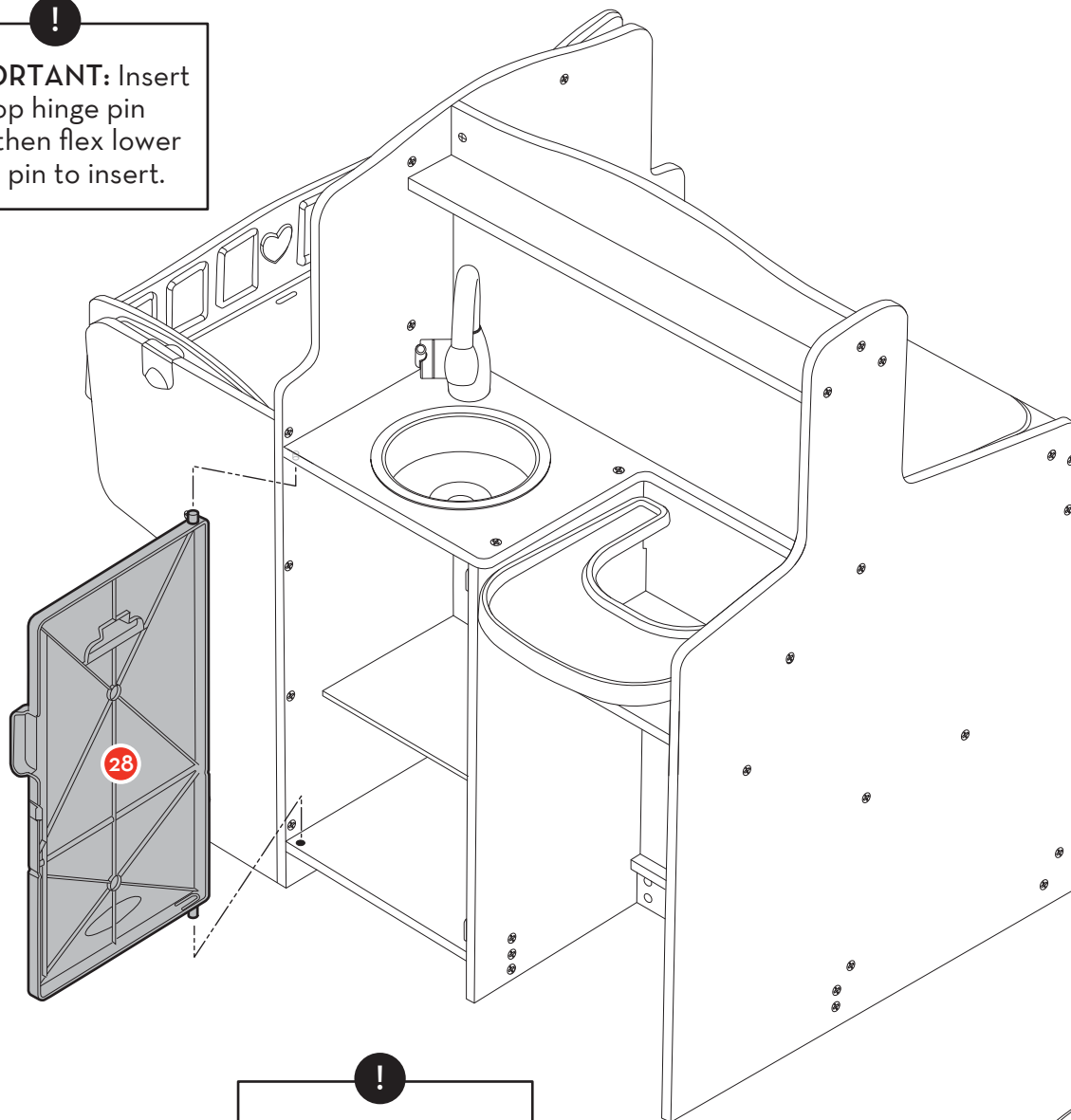


# STEP 27 - What Fun, You're Done!

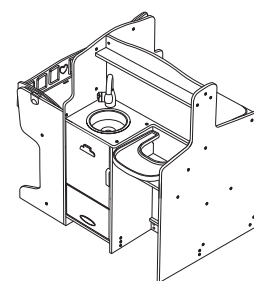
Attach the fridge door (part 28) by inserting the hinge pins into holes inside the counter and base (insert top pin first). The lower hinge pin flexes to help it attach to the base.



**!**  
**IMPORTANT:** Insert the top hinge pin first, then flex lower hinge pin to insert.



**!**  
**IMPORTANT:** With the unit on a flat surface, fully tighten all screws.



Assembled View

# YOU DID IT!

Now the real fun begins—it's time to feed, change, bathe and rock favorite baby dolls and stuffed animals to sleep! Here are some of the special features of the Mine to Love® Baby Care Activity Center:

- **MULTI-SIDED FOR ALL AROUND FUN:** Take care of all of favorite baby dolls' and stuffed animals' needs! There's a kitchen side for feeding, a nursery side for sweet dreams and dressing, and changing area for diapering and bathtime.
- **BATHTUB & SPRAY NOZZLE:** Lift the changing mat to reveal a sturdy plastic baby bathtub! Turn and click the shower knob, pull out the spray nozzle hose, and pretend to splash and splash with baby! There's even a hook to hang a wash cloth or towel.
- **CHANGING ESSENTIALS:** A soft changing mat attaches to the bathtub to create a convenient changing surface. Baby can peek in the mirror on the wall, while young caregivers use the handy wipe dispenser for keeping baby clean. Drop dirty diapers in the diaper door, and it drops right into the washing machine with a knob that clicks as it's turned to different settings!
- **ROCKING CRIB:** Baby is sure to have sweet dreams when kids rock them sleep in the durable, easy-rocking cradle with sweet heart details!
- **SINK & FRIDGE:** The faucet swivels and knob turns for realistic play. Open the fridge door to reveal two storage shelves; close it and hang original artwork on the built-in clip!
- **HIGH CHAIR:** Baby dolls and stuffed animals of many sizes can fit in the high chair; the durable plastic tray keeps baby secure, then removes for easy cleanup!
- **LOTS OF STORAGE & PLAY SPACE:** There's a clothing rack under the cradle for hanging baby clothes, storage next to the washer for bathing and changing accessories, and shelving under the kitchen sink for pantry items and feeding supplies! Upper shelves offer extra space for baby's toys and more.
- **SAFETY FIRST:** High-quality materials ensure strength and durability, while smooth, curved corners and edges offer peace of mind.

---

## ACCESSORIZE

The Melissa & Doug Mine to Love® line of dolls and accessories offers lots of options for stocking and playing with the Baby Care Activity Center! To find dolls, play sets, and more, visit us at [MelissaAndDoug.com](http://MelissaAndDoug.com)!



Melissa & Doug®

**Mine to Love®**  
**mealtime**  
play set



Melissa & Doug®

**Mine to Love®**  
**changing &**  
**bathtime**  
play set



Melissa & Doug®

**Mine to Love®**  
**bedtime**  
play set



Melissa & Doug®